

ARU52AX-L

52cm Undermount Rangehood



FEATURES & BENEFITS



700m³/h Extraction

Removes cooking odours with ease



50/53/58 dB Noise Rating

Quiet operation makes this unit perfect for open plan kitchens.



LED Lighting

Giving extra light when needed in the kitchen.



3 Speed Settings

Depending on what you're cooking you can vary the amount of extraction as required.



5 YEAR WARRANTY on parts and labour.

TECHNICAL SPECIFICATIONS

Construction Type/Product Family	Undermount rangehood
Speed settings	3
Lighting type / Position	LED / Front
Control Type	Sliding switch
Colour	Stainless steel
Filter Type	Aluminium or Optional Carbon Filter
Motor	Single
dB Rating	50/53/58
Ducting diameter	150mm
Location & Length of Power Cable	
Electrical Connect Requirements	
Voltage (V)	
Frequency (Hz)	
Approval Certificates	CE

DIMENSIONS

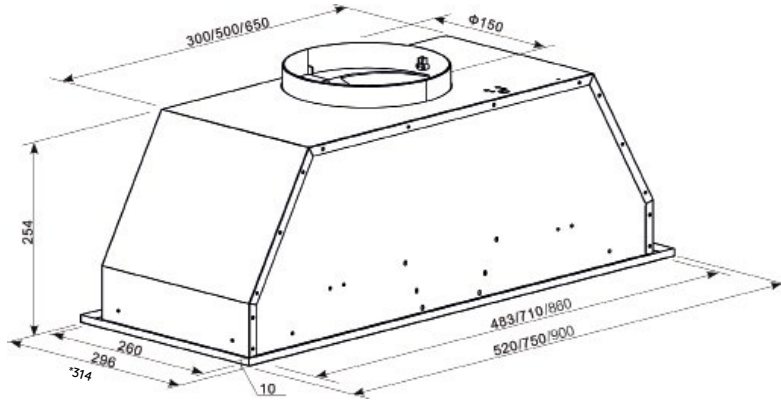
Product Dimensions (W) x (H) x (D)	520 x 254 x 314
Built-In Hole Dimensions (W) x (D)	483 x 262
Net Weight/Gross Weight	7.5kg

ARU52AX-L

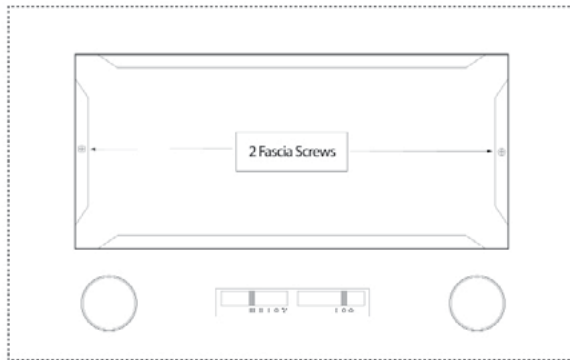
52cm Undermount Rangehood



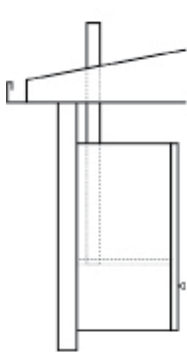
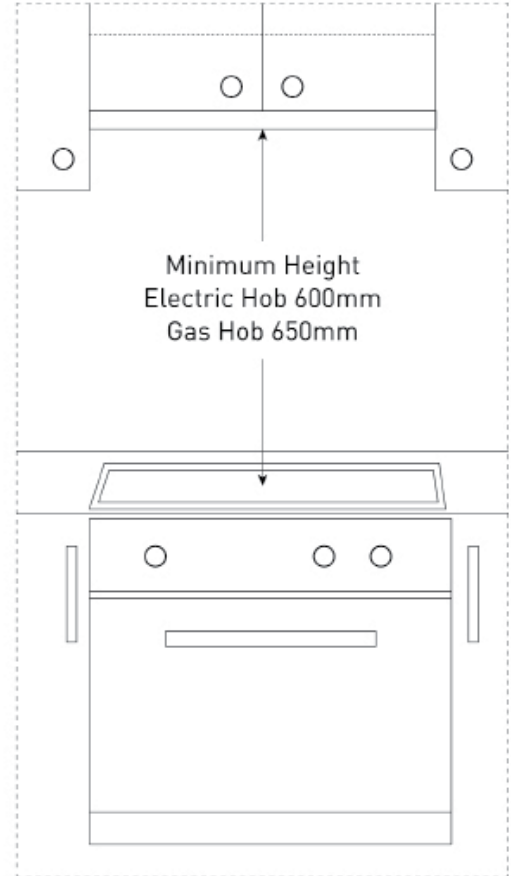
Product dimensions



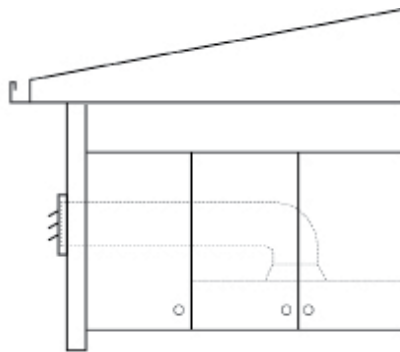
*bevelled edge ARU52AX-L



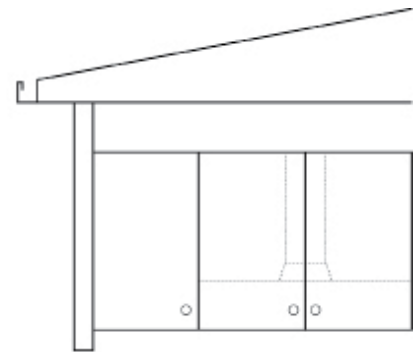
Rangehood/cooktop clearance



TOP DUCTING



SIDE DUCTING



RE-CIRCULATING
(Carbon filter required)

WARNING: Technical specifications and product sizes can be varied by the manufacturer, without notice. Cut outs for appliances should only be by physical product measurements. The above is indicative only.