

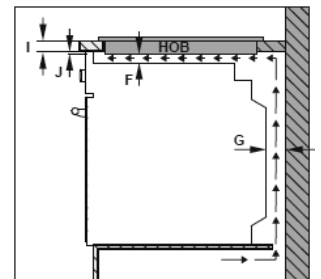
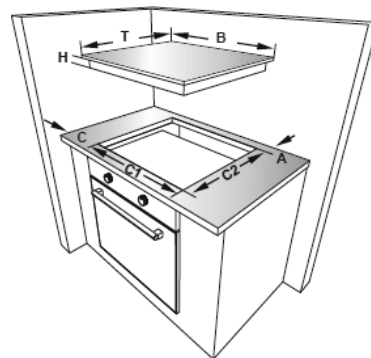
TCT35VE

9351116005979

- 300mm Framless Ceramic Cooktop
- Touch Control
- 2 Cooking Zones
- Fast Heat Up Ribbon Elements
- Stage Power Settings
- 9 Heat Settings

TECHNICAL SPECIFICATIONS

DIMENSIONS	W290 x D520 x H47.5
BUILT IN DIMENSIONS	W270 x D490
CONTROL TYPE	Touch
HOB COLOUR	Black
COOKING ZONES	2 Cooking Zones
ELEMENT TYPE	Ribbon
HOB STYLE	Frameless
RESIDUAL HEAT INDICATOR	Yes
AUTO SAFTEY CUTOUT	Yes
RATED VOLTAGE	220-240V~
TOTAL CONNECTED LOAD	3000W
POWER AMPS	12.5 Amps
CONNECTION	Hardwired
APPROVAL	AS/NZS Certificate
CARTON	Full Styrofoam
PACKAGING DIMENSIONS	W326 x D578 x H133
GROSS WEIGHT	4.75KG
NETT WEIGHT	4.26KG



B (MM)	290
T (MM)	520
H (MM)	47.5
C1 (MM)	270
C2 (MM)	490
D (MM)	50
J (MM)	5

MIN. A (MM)	50
MIN. C (MM)	50
MIN. E (MM)	250
MIN. F (MM)	10
G (MM)	20
I (MM)	25

WARNING: technical specifications and product sizes can be varied by the manufacturer, without notice. Cut outs for appliances should only be by physical product measurements. The above information is indicative only.