

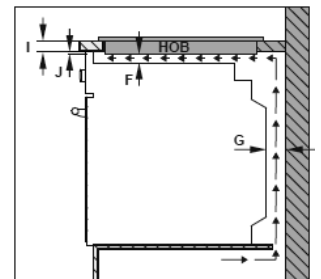
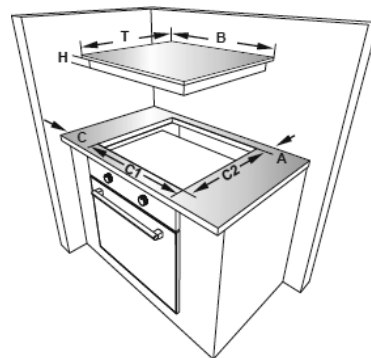
TIT35VE

9351116006006

- 30cm Frameless Induction Cooktop
- Sensor Touch Control
- 2 Cooking Zones
- 9 Power Levels + Booster
- Easy Clean Ceramic Glass
- Child Lock
- Residual Heat Indicator

TECHNICAL SPECIFICATIONS

DIMENSIONS	W290 x D520 x 56
BUILT IN DIMENSIONS	W270 x D490
CONTROL TYPE	Touch
HOB COLOUR	Black
COOKING ZONES	2 Cooking Zones
ELEMENT TYPE	Induction
HOB STYLE	Frameless
RESIDUAL HEAT INDICATOR	Yes
AUTO SAFTEY CUTOUT	Yes
RATED VOLTAGE	220-240V~
TOTAL CONNECTED LOAD	3600W
POWER AMPS	15 Amps
CONNECTION	Hardwired
APPROVAL	AS/NZS Certificate
CARTON	Full Styrofoam
PACKAGING DIMENSIONS	W332 x D581 x H142
GROSS WEIGHT	5.78KG
NETT WEIGHT	5.27KG



B (MM)	290
T (MM)	520
H (MM)	56
C1 (MM)	270
C2 (MM)	490
D (MM)	50
J (MM)	5

MIN. A (MM)	50
MIN. C (MM)	50
MIN. E (MM)	250
MIN. F (MM)	10
G (MM)	20
I (MM)	38

WARNING: technical specifications and product sizes can be varied by the manufacturer, without notice. Cut outs for appliances should only be by physical product measurements. The above information is indicative only.