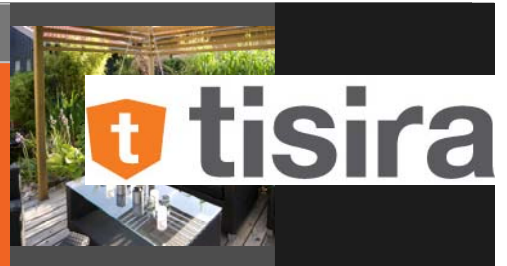


# ACT60AX-L

## 60cm Canopy Rangehood



## 60cm Canopy Rangehood

---

### Features and Benefits:

<b>700 m<sup>3</sup>/h Extraction</b>	Removes cooking odours with ease
<b>53/56/58 dB Noise Rating</b>	Quiet operation makes this unit perfect for open plan kitchens
<b>LED Lighting</b>	Giving extra light when needed in the kitchen
<b>3 Speed Settings</b>	Depending on what you're cooking you can vary the amount of extraction as required

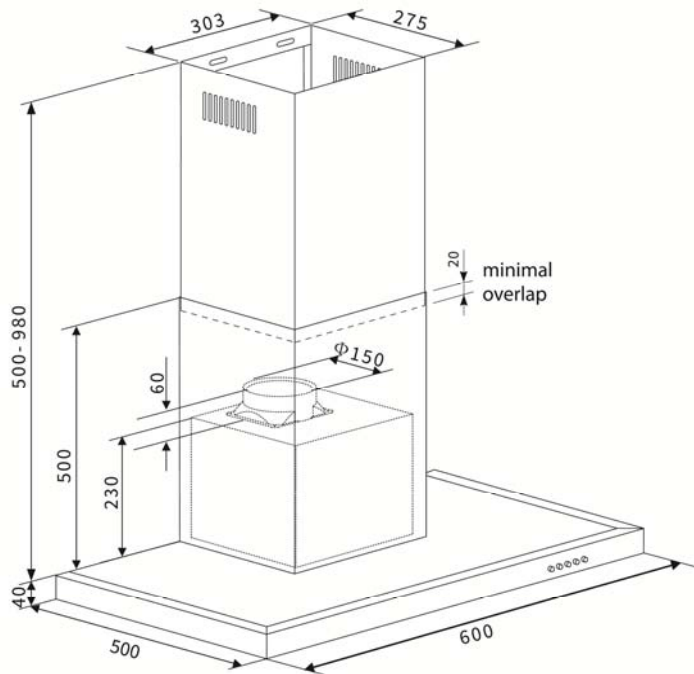
---

#### **Distributed by Arisit Pty Ltd**

40-44 Mark Anthony Drive, Dandenong South VIC 3175 Ph: 1300 762 219 Fax: 03 9768 0838 Website: [www.arisit.com](http://www.arisit.com)  
1A Howe street, Auckland, New Zealand 1145 Ph: (09) 306 1020 Fax: 09 3020077

# ACT60AX-L

## 60cm Canopy Rangehood



Recommended Clearance Range



### Technical Specifications:

Extraction Rate	700 m <sup>3</sup> /h
Speed Settings	3
Lighting Type / Position	LED / Front
Control Type	Push-buttons
Colour	Stainless Steel (white also available)
Filter Type	2 x Aluminium Panels (carbon filter optional)
Motor	Single
dB Rating	53/56/58
Dimensions (W) x (H) x (D)	600 x 540-1020 x 500

Technical	
Connection	220-240V ~ 50Hz
Ducting Outlet	150mm
Plug type	Australian-10A

Product is unbranded

WARNING: technical specifications and product sizes can be varied by the manufacturer, without notice. Cut outs for appliances should only be by physical product measurements. The above information is indicative only.

**Distributed by Arisit Pty Ltd**

40-44 Mark Anthony Drive, Dandenong South VIC 3175 Ph: 1300 762 219 Fax: 03 9768 0838 Website: [www.arisit.com](http://www.arisit.com)

1A Howe Street, Newton, Auckland NZ 1145

Ph:(09) 306 1020 Fax: (09) 302 0077