

ACT90AX-L

90cm Canopy Rangehood



90cm Canopy Rangehood

Features and Benefits:

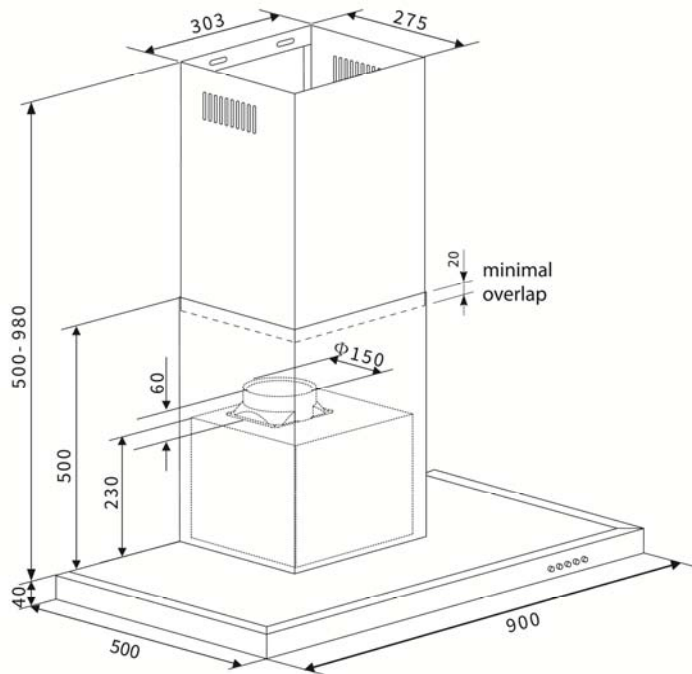
| | |
|---------------------------------|--|
| 700 m3/h Extraction | Removes cooking odours with ease |
| 53/56/58 dB Noise Rating | Quiet operation makes this unit perfect for open plan kitchens |
| LED Lighting | Giving extra light when needed in the kitchen |
| 3 Speed Settings | Depending on what you're cooking you can vary the amount of extraction as required |

Distributed by Arisit Pty Ltd

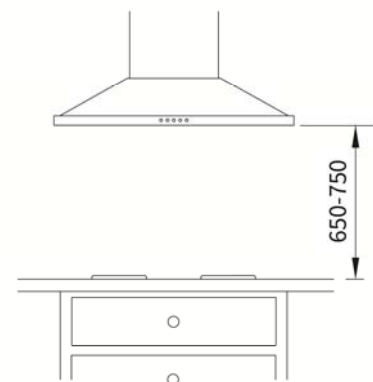
40-44 Mark Anthony Drive, Dandenong South VIC 3175 Ph: 1300 762 219 Fax: 03 9768 0838 Website: www.arisit.com
1A Howe street, Auckland, New Zealand 1145 Ph: (09) 306 1020 Fax: 09 3020077

ACT90AX-L

90cm Canopy Rangehood



Recommended Clearance Range



Technical Specifications:

| | |
|----------------------------|--|
| Extraction Rate | 700 m3/h |
| Speed Settings | 3 |
| Lighting Type / Position | LED / Front |
| Control Type | Push-buttons |
| Colour | Stainless Steel (white also available) |
| Filter Type | 3 x Aluminium Panels (carbon filter optional) |
| Motor | Single |
| dB Rating | 53/56/58 |
| Dimensions (W) x (H) x (D) | 900 x 540-1020 x 500 |

| Technical | |
|----------------|-----------------|
| Connection | 220-240V - 50Hz |
| Ducting Outlet | 150mm |
| Plug type | Australian-10A |

Product is unbranded

WARNING: technical specifications and product sizes can be varied by the manufacturer, without notice. Cut outs for appliances should only be by physical product measurements. The above information is indicative only.

Distributed by Arisit Pty Ltd

40-44 Mark Anthony Drive, Dandenong South VIC 3175 Ph: 1300 762 219 Fax: 03 9768 0838 Website: www.arisit.com

1A Howe Street, Newton, Auckland NZ 1145

Ph:(09) 306 1020 Fax: (09) 302 0077