

AGITBG

RANGEHOOD INSTALLATION INSTRUCTIONS

AGITBG 520
AGITBG 850

EAN #9351116000134
EAN #9351116000141



BEFORE YOU INSTALL	3
LINE DRAWINGS	4
DUCTING AND CLEARANCES	5
INSTALLING THE RANGEHOODS	6
USING THE RANGEHOOD / MAINTENANCE	8
REPLACING THE LED LIGHT	9
WIRING DIAGRAM	10
WARRANTY INFORMATION	11

BEFORE YOU INSTALL - DUCTING INFORMATION



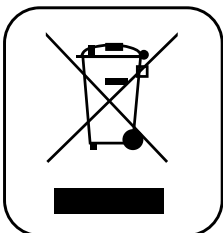
The appliance must be installed and connected to the power supply only by a qualified technician.

- There should be adequate ventilation of the room when the rangehood is used at the same time as appliances burning gas or other fuels (not applicable to appliances that only discharge the air back into the room)
- The details concerning the method and frequency of cleaning
- There is a fire risk if cleaning is not carried out in accordance with the instructions;
- Do not flambé under the range hood;
- CAUTION: Accessible parts may become hot when used with cooking appliances.

Ducting available at www.siriusbrand.com

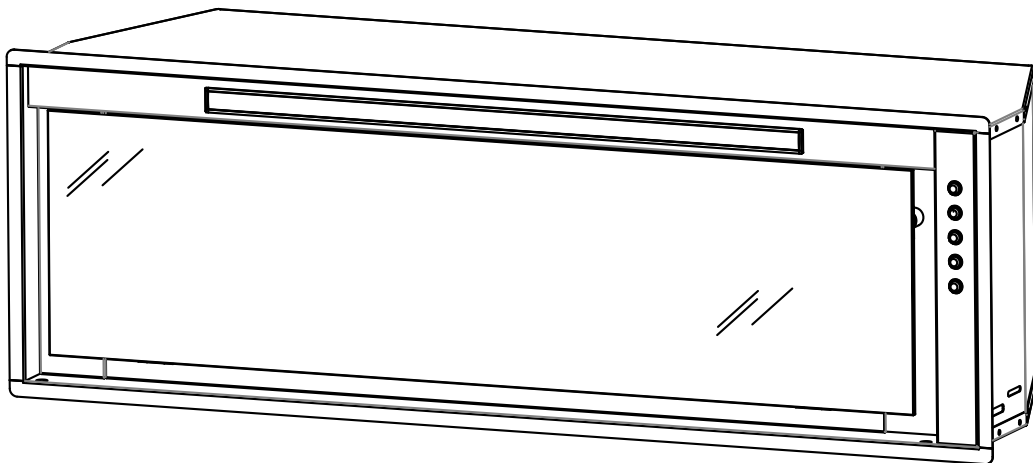
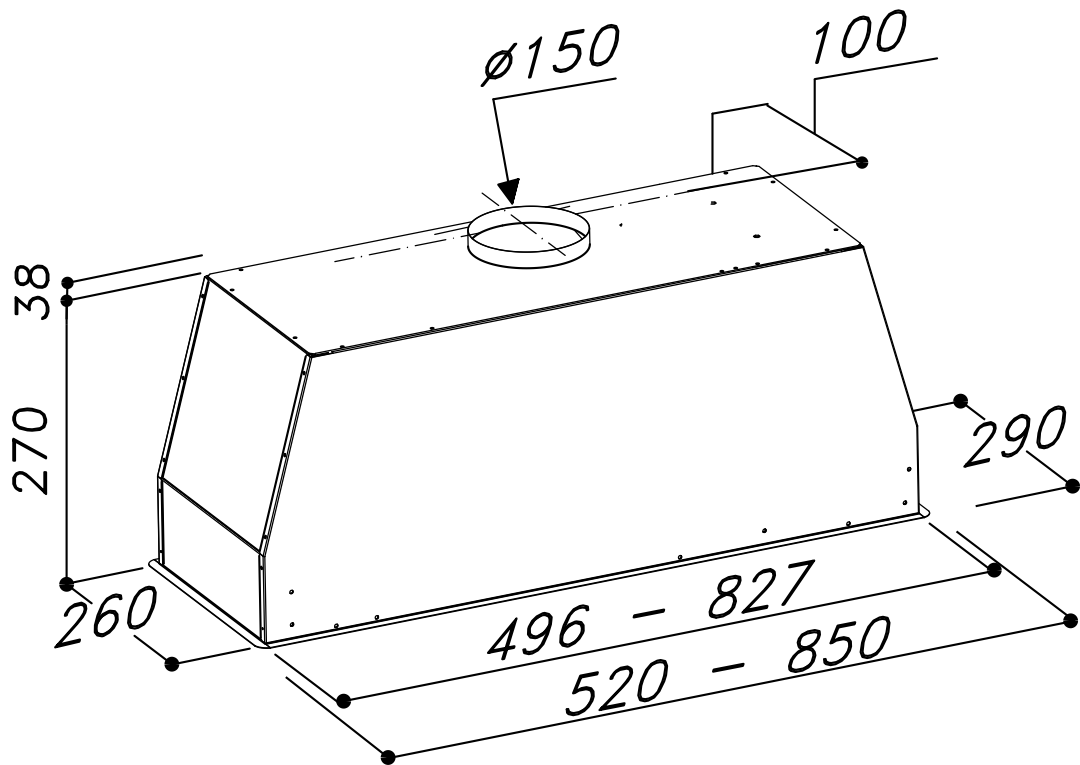
A reduction in the duct diameter from stated ducting size may void warranty.

If you are in doubt about the ducting, please contact Arisit on 1300 762 219 prior to installation



The symbol on the product or on its packaging indicates that this product may not be treated as household waste. Instead it shall be handed over to the applicable collection point for the recycling of electrical and electronic equipment. By ensuring this product is disposed of correctly, you will help prevent potential negative consequences for the environment and human health, which could otherwise be caused by inappropriate waste handling of this product. For more detailed information about recycling of this product, please contact your local city office, your household waste disposal service or the shop where you purchased the product. This appliance is marked according to the European directive 2002/96/EC on waste electrical and electronic equipment (WEEE).

LINE DRAWINGS

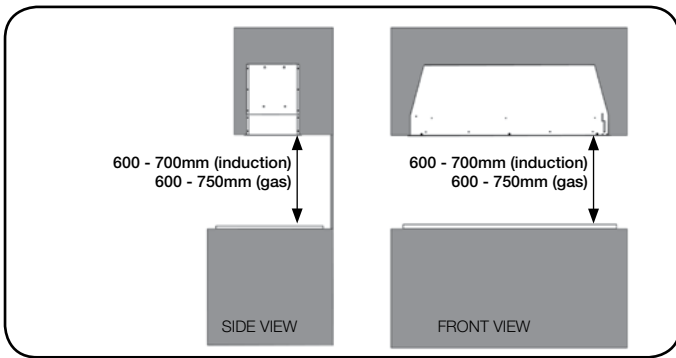


DUCTING AND CLEARANCES




Min. 600mm - Max. 700mm for induction cooktops.
Min. 650mm - Max. 750mm gas cooktops.


If the rangehood is positioned above the max height recommended, warranty may be compromised as performance of the rangehood will be affected. Measurement is taken from the top of the trivets to the underside of the hood. (Fig.1)



(Fig. 1)

- The air being drawn can't be conveyed through or into a duct used to let out fumes from appliances fed by energy other than electric power (eg. centralized heating, radiators, water heaters, etc.).
- Attention: remove any possible PVC film from the stainless steel, including the filters.
- To externally vent, please comply with the pertaining rules given by competent authorities.
- Provide the room with an adequate ventilation when a rangehood and appliances fed by energy other than electric power (gas, oil, or coal stoves, etc.) are used simultaneously. The rangehood, when evacuating the air, could generate a negative pressure in the room which can't exceed the limit of 0.04 mbar, in order to avoid the suck of exhausts deriving from the heat source. Therefore the room should be provided with air intakes to allow a constant flow of fresh air.

If the rating label in the rangehood shows the symbol , the appliance is built in class II° and it **does not need** any earth connection.

If the rating label in the rangehood does not show the symbol , the appliance is built in class I° and it **needs** the earth connection.

When performing the electrical connections on the appliance, please make sure that the current-tap is provided with earth connection and that voltage values correspond to those indicated on the label placed inside the appliance itself.

Before carrying out any cleaning or maintaining

operations, the appliance needs to be switched off. If the appliance is not provided with a non-separable flexible cable and plug, or with another device ensuring omnipolar disconnections from the grid, with an opening distance between the contacts of at least 3mm, then such disconnecting devices must be supplied within the fixed installation. If the fixed appliance is endowed with a supply cord and a plug, the appliance has to be put in a place where the plug can be reached easily.

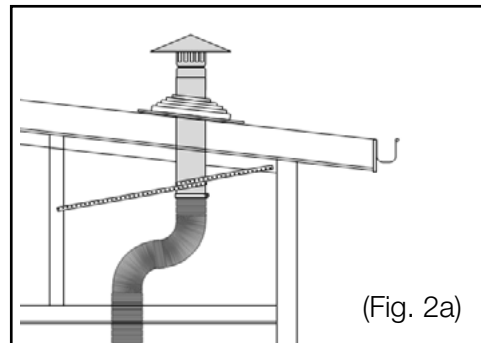
The use of materials which can burst into flames should be avoided in close proximity of the appliance. When frying, please pay particular attention to fire risk due to oil grease. Being highly flammable, fried oil is especially dangerous. Do not use uncovered electric grills. In order to avoid possible fire risk, all instructions for grease-filter cleaning and for removing eventual grease deposits should be strictly followed.

When ducting rangehood, options are as follows:

Roof vent - EASYROOF 150T/M

*Kit includes roof flashing

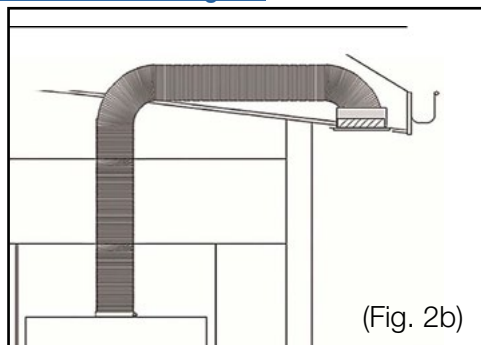
[Download installation guide](#)



(Fig. 2a)

Eave vent - EASYEAVE 150

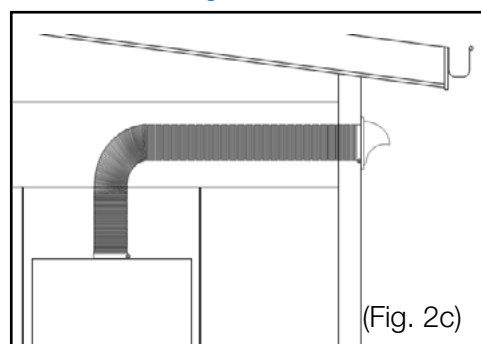
[Download installation guide](#)



(Fig. 2b)

Wall vent - EASYWALL 150

[Download installation guide](#)



(Fig. 2c)

AGITBG INSTALLATION

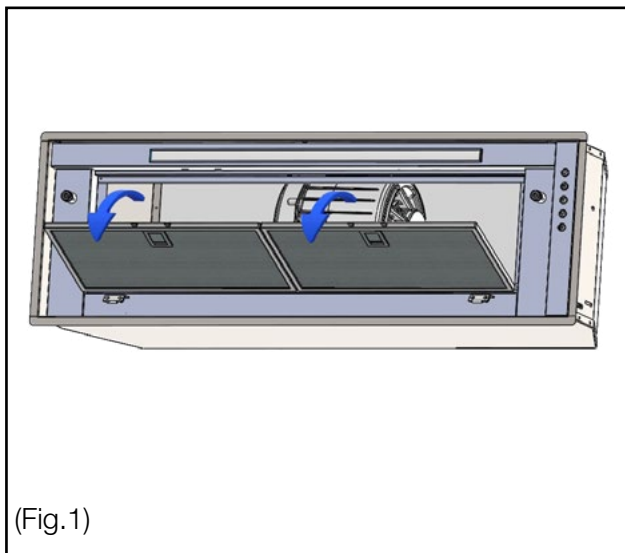
WARNING: Failure to install the screws or fixing device in accordance with these instructions may result in electrical hazards.



Before installing the appliance, make sure that none of the parts are damaged in any way. In case of damaged parts, contact your retailer and do not proceed with installation. Read all of the following instructions with care before installing the appliance.

- Use ducting within the min/max specifications
- Limit the number of ducting bends.
- Do not make any changes in ducting diameter (recommended constant diameter: Ø 150 mm or equal surface area).

Before installing the appliance - in order not to damage the appliance itself - the metal grease filter should be removed. These filters could be removed by pushing the handles towards the back side of the rangehood and pulling it downwards to unfasten it from its slot. (Fig.1).

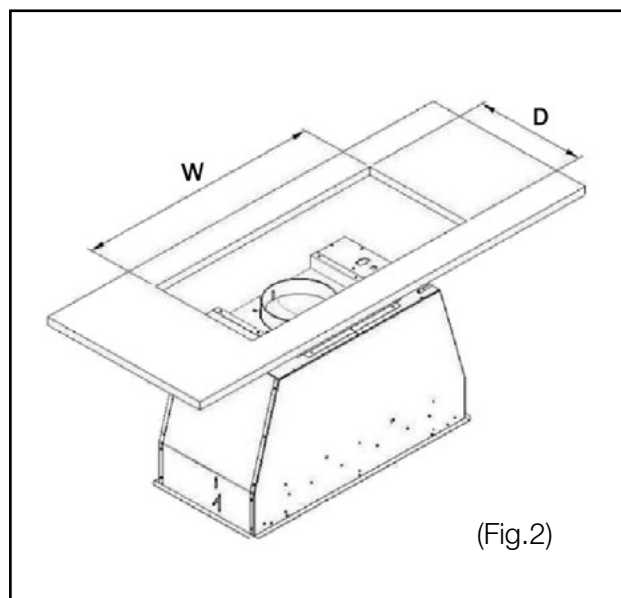


To install the appliance please respect the following instructions:

- The appliance must be installed by qualified technicians.
In order to avoid damage to the electronic parts of the appliance, please do not use additional screws.
- Essential precautions to respect before installing the appliance are the following:
To have made a cutout on the bottom of the cabinet which is suitable to hold the appliance in position (fig. 2):

AGITBG 520 - (W) 502 x (D) 265mm

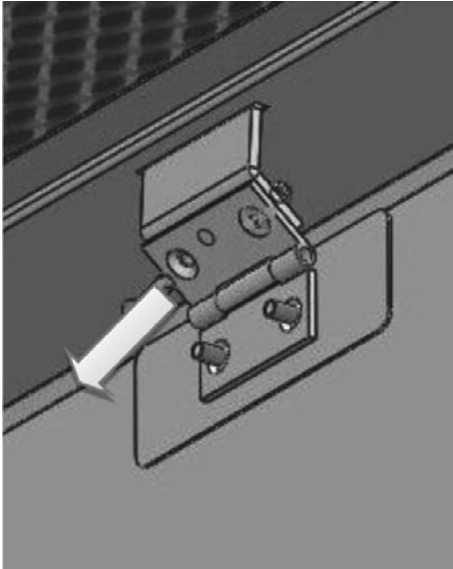
AGITBG 850 - (W) 835 x (D) 265mm



1. Prepare the power supply - 240 volts.
2. Prepare a hole for the exhaust - 160mm diameter.
 - Do not use screws to fix the ducting to the rangehoods as they will prevent the movement of non-return valves.
 - Limit the number of elbows in the ducting, since each elbow reduces the duct efficiency by 1 metre. (i.e. if you use two 90° elbows, the length of ducting must not exceed 5 metres.)
 - Avoid abrupt direction changes.
 - Use 150mm constant diameter ducting for the whole length.

NOTE

- To make it easier to install the rangehood inside the cabinet, it is recommended to remove the glass. Unscrewing the four M3x10 screws as shown in Fig. 3.



(Fig.3)

WARNING

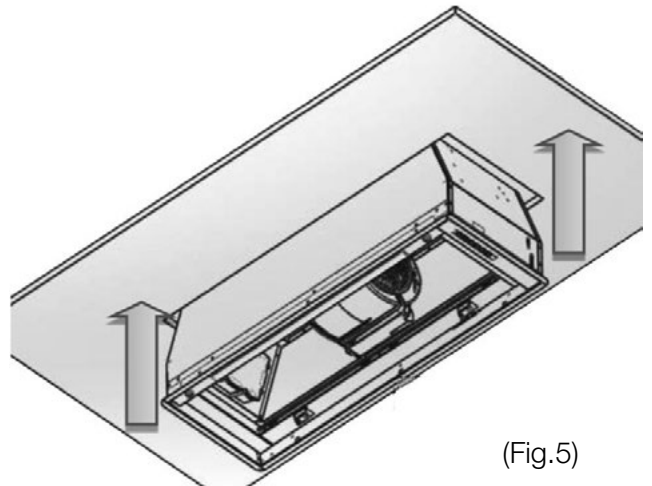
The rangehood is quite heavy, so two people will be needed for installation.

- To install the appliance, adjust the position of the adjustable side-springs using the supplied screws (fig.4), according to the thickness of the board, in which the appliance will be fixed.

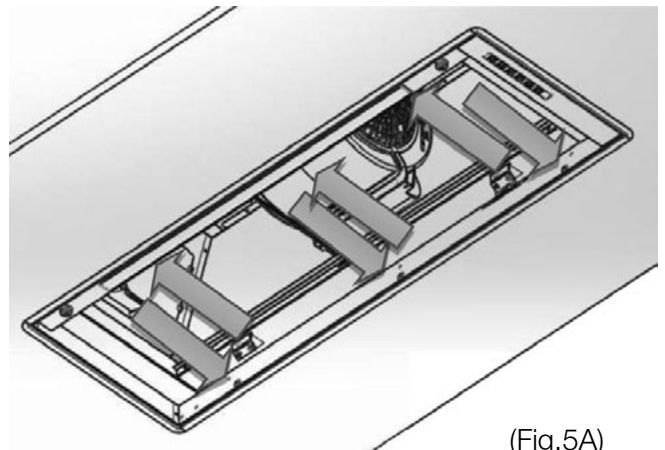


(Fig.4)

- Insert the rangehood into the cutout in the cabinet until the stop click of the side-springs is heard and the rangehood is supported (Fig 5).
- Insert the **25mm screws** provided into the front and rear holes inside the rangehood (Fig.5A) to fix it to cabinetry.
- Insert the grease filter (Fig.1)



(Fig.5)

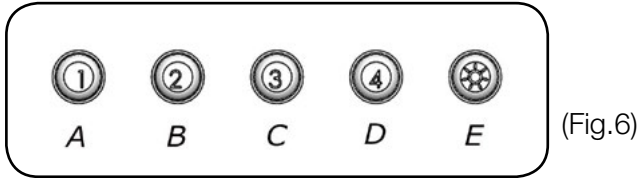


(Fig.5A)

USING THE RANGEHOOD

AGITBG (fig. 6)

- A: Motor switch on speed 1/off - (low/simmer)
- B: Motor switch on speed 2 - (general cooking)
- C: Motor switch on speed 3 - (high power)
- D: Motor switch on speed 4 - (booster)
- E: Light on/off switch



MAINTENANCE

- Accurate maintenance guarantees good functioning and long-lasting performance.
- Particular care is due to the grease filter panel. It can be removed by pushing its handle toward the back side of the rangehood and pulling the filter downwards so to unfasten it from its slot (Fig.1). To insert the filter just perform the opposite operation.
- The grease filter needs cleaning by regular handwashing or in dishwashers every two months or 30 continuous hours, depending on its use. Button lights will flash when filter needs to be cleaned. To reset, press and hold the the **01** button for 2 seconds when the motor is off.
Filters may require cleaning sooner if frequent heavy frying is done.
- To clean the appliance itself, water and detergent are recommended, while abrasive products should be avoided. For steel appliances specialized detergents are recommended (please follow the instructions indicated on the product itself to obtain the desired results).



To remove the rangehood from the cabinet, remove the fixing screws (fig. 5A) using a screwdriver, and remove the grease filters (fig.1).

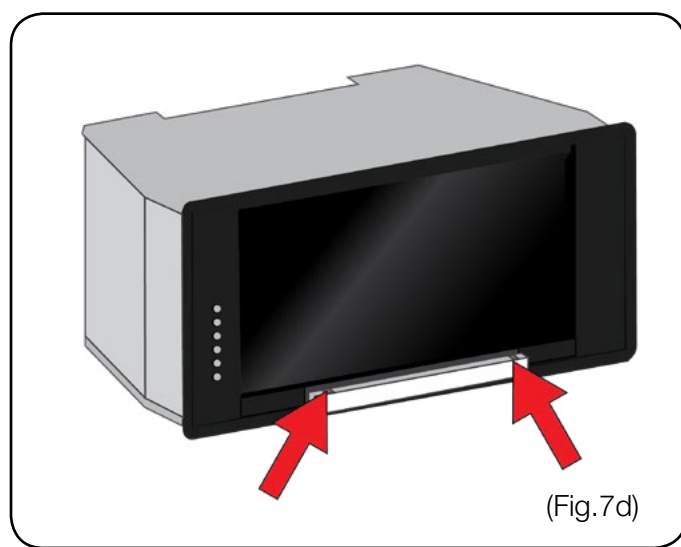
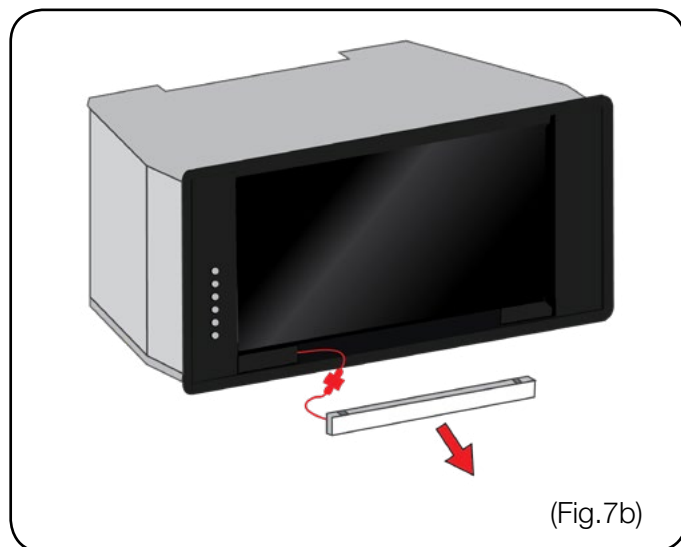
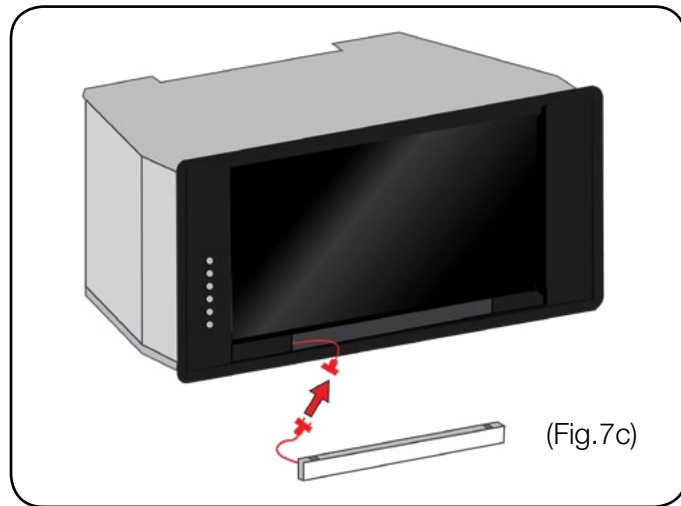
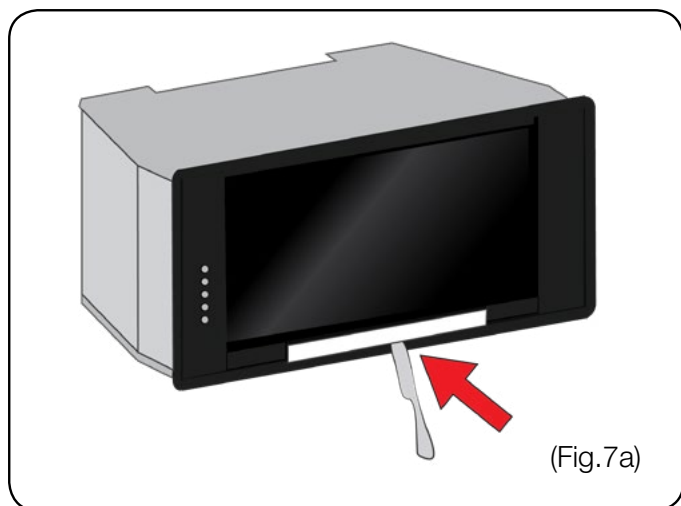
- Push down on the small handle of the springs, which are inside the rangehood, with the necessary strength to unhook the hood from the cabinet.



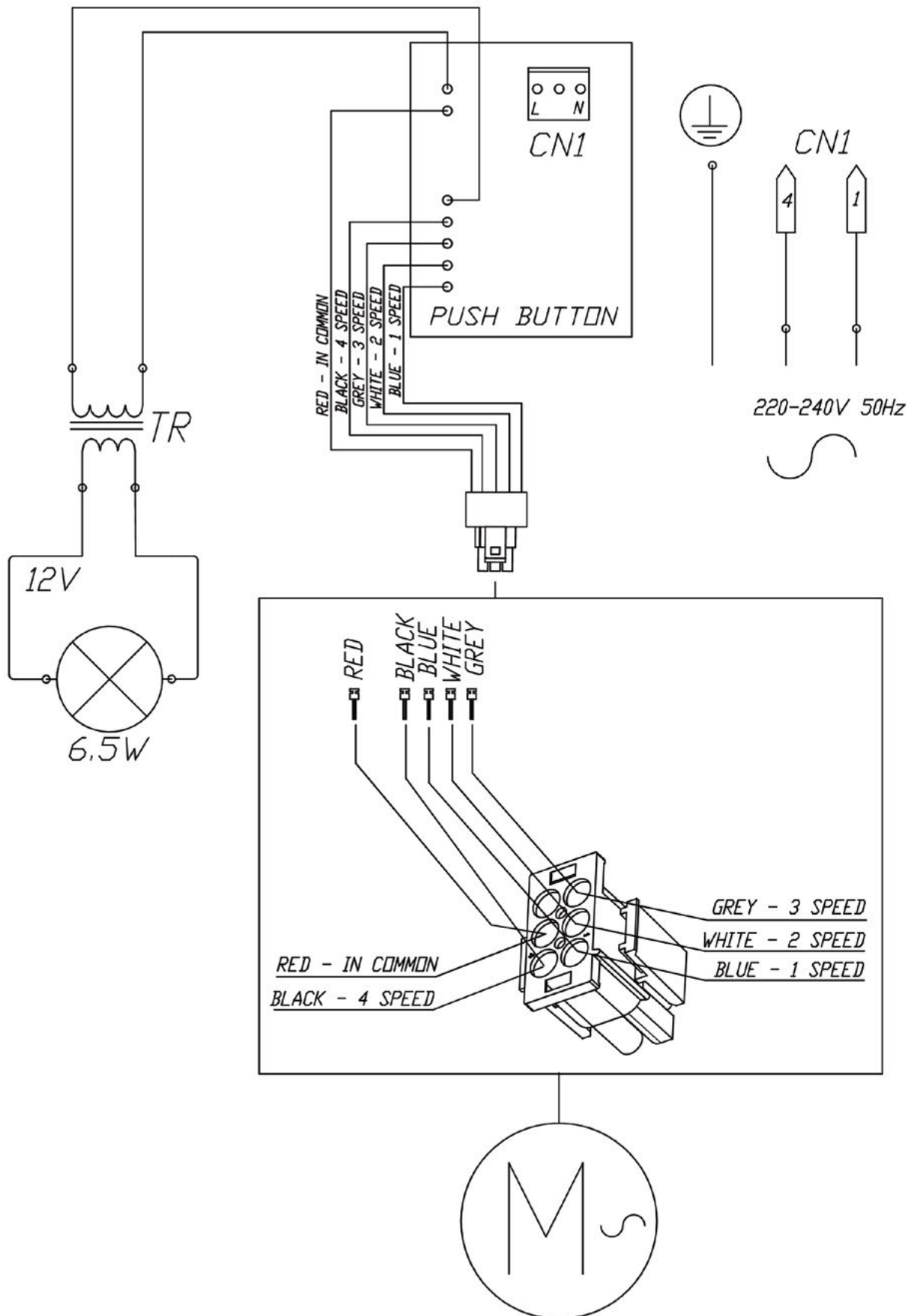
If the supply cord is damaged, it must be replaced by the manufacturer or its service agent or a similarly qualified person in order to avoid a hazard.

REPLACING THE LED STRIP ON THE AGITBG

1. Before replacing the LED light, switch off the rangehood, then - by using appropriate tools - remove the LED light from its slot. (Fig 7a - b)
 - Note: light is easier to remove from the **centre of LED strip**. Use a small, flathead screwdriver, palette knife or blunt butter knife.
2. Take out the LED light from its connector and replace. (Fig 7c - d)
 - To find the correct LED light, please contact Ariston directly on our toll-free number: **1300 762 216**.



WIRING DIAGRAM



Your Warranty

Register now to qualify for your Warranty

Warranty Terms & Conditions

These Terms and Conditions apply only to Ariston products distributed in Australia and New Zealand by Arisit Pty Limited.

1. This warranty applies for period of 5 years warranty on AGITBG rangehoods. Warranty applies for parts and labour in Australia, commencing from date of purchase.
2. Evidence of the date of purchase must be shown to the technician when they call, to obtain benefit under this warranty.
3. This warranty applies only to the original purchaser/hire purchaser of this appliance and cannot be assigned or transferred. Failure to produce documentary proof of the date of original acquisition by the original purchaser will result in a charge being levied for work done, labour and parts supplied.
4. This warranty does not apply to:
 - a) Serviceable items such as filters, fuses, light bulbs, door seals, drive belts, external hoses, etc.
 - b) Damage to body work, paint work, glass, trivets and plastic items (such as, but not limited to windows, covers, baskets, trays, worktops, door handles, control and kick panels.)
 - c) Corrosion & rust damage.
 - d) Damages/blockages caused by laundry or foreign objects.

A fee for service will be charged following warranty claims where no fault is found with the appliance.

5. This warranty will not apply where:
 - a) The fault is caused by accident, misuse, oversuds, an infestation of vermin, fire, flood or the use of products not approved by Arisit Pty. Limited.
 - b) There has been a failure to comply with the manufacturer's operating and installation instructions.
 - c) Service, modification or repair has been carried out by anybody other than an approved Arisit Service Technician.
 - d) The appliance has been used/installed anywhere other than a private dwelling, or where it has been used other than for domestic use.
 - e) The appliance is subject to a rental agreement.
6. Any defective part that has been replaced becomes the property of Arisit Pty. Limited.
7. This warranty applies only to Ariston appliances purchased and installed in Australia and New Zealand.
8. Loss of use of the appliance or consequential loss of any nature is not covered.
9. A charge may be levied at the discretion of Arisit Pty Limited if the call is deemed unnecessary or if the cause of failure is traced to external sourced such as, but not limited to: blown fuses, power failure, faulty installation, etc.

10. Where the appliance, the subject of a warranty claim or repair, is used or installed more than TWENTY (20) kilometres from the Arisit Service Division or Authorised Service Agent, the cost of delivery to the nearest Service Division or travel costs for a technician or Authorised Service agent shall be for the account of Purchaser. Where a built-in appliance is located or installed outside the Arisit Authorised Service Agent's normal service area, additional travel and labour costs shall be the account of the Purchaser.
11. Arisit Pty. Limited shall not under any circumstances be responsible in terms of this warranty for the replacement or repair of any part of the equipment which may have been damaged in transit, during and after installation or imperfections after installation.
12. Losses caused by act of God, failure to obtain spare parts, strikes or lockouts are not covered.
13. Service is offered during normal working hours only, also appliances to have a clear access in a serviceable area.
14. This warranty does not affect your statutory rights.
15. Our goods come with guarantees that cannot be excluded under the Australian Consumer Law. You are entitled to a replacement or refund for a major failure and for compensation for any other reasonably foreseeable loss or damage. You are also entitled to have the goods repaired or replaced if the goods fail to be of acceptable quality and the failure does not amount to a major failure.

We reserve the right to amend any of the above without prior notice.

Registration Form

To register for your warranty please complete and return this form to Arisit Pty Limited within 30 days of purchase.

Where did you first hear about Ariston?

- | | |
|---|--|
| <input type="checkbox"/> Advertising | <input type="checkbox"/> Tradesman's Recommendation |
| <input type="checkbox"/> In Store Display | <input type="checkbox"/> Recommendation by Friend/Relative |
| <input type="checkbox"/> Other (please specify) | |

Would you like any further information on other appliances? Please specify

- | | |
|--------------------------------------|----------------------------------|
| <input type="checkbox"/> Cooking | <input type="checkbox"/> Laundry |
| <input type="checkbox"/> Dishwashers | <input type="checkbox"/> All |

Please print in block letters

Date of Purchase / /

Mr Mrs Ms

Name of Retailer

Initials Surname

Address

Email

Model Number

State Postcode

Serial Number

Telephone (AH) (BH)

Dear Customer,

Thank you for choosing this appliance.

We are sure that it will provide you with many years of excellent service. At Arisit Pty Limited we are dedicated to ensuring that our customers receive the best possible after-sales care.

The Arisit 'Protection Plan' has been devised to give you added peace of mind. Should you encounter any problems with your appliance, our nationwide team of specially trained technicians will deal with your call swiftly and efficiently.

AUSTRALIA

ARISIT PTY LIMITED
40-44 Mark Anthony Drive, Dandenong South, VIC 3175, Australia
Fax: Service & Sales (03) 9768 0838
Email: consumer.care@arisit.com

NEW ZEALAND

ARISIT PTY LIMITED
PO Box 68-140 Newton, Auckland 1145, New Zealand
Fax: (09) 302 0077 - Email:sales@aristonappliances.co.nz

PRIORITY SERVICE

If you are not completely satisfied with your appliance or require service call:

Australia
Phone: 1300 815 589
New Zealand
Phone: (09) 306 1020

GENUINE ACCESSORIES & SPARE PARTS

A wide range of genuine accessories are available for your appliance:

Australia
Phone: 03 9768 0888
New Zealand
Phone: (09) 306 1020

Warranty

By registering your ownership now you automatically qualify for Arisit's Total Peace of Mind Protection Plan.

Australian and New Zealand Protection Plan

This guarantees your appliances for a full 5 years on AGITBG rangehoods, subject to the Terms and Conditions overleaf.

Please mail to country of purchase. 

ARISIT PTY LIMITED (Australia)

ABN 23 091 515 294

40-50 Mark Anthony Drive
Dandenong South VIC 3175

P: Sales & Service: 1300 762 219

F: Sales & Service: (03) 9768 0838

E: arisit@arisit.com

ARISIT PTY LIMITED (New Zealand)

1A Howe Street Newton, Auckland 1145
PO Box 68-140 Newton, Auckland 1145

P: (09) 306 1020 - Fax: (09) 302 0077

E: sales2@aristonappliances.co.nz

www.arisit.com

All efforts have been made to ensure that the information provided in this brochure is correct at the time of printing. Due to continuous product improvement and ongoing development, Sirius reserves the right to make changes to the products and technical data without prior notice. Some products appearing in this brochure may be for illustrative purposes only. Diagrams are indicative measures only. Prior to commencing cabinetry cutouts the operating/installation instructions accompanying the product must be referred to at www.arisit.com