

# USER

SLIDEOUT RANGEHOODS

---

# M A N U A L



LABEL HERE



**IMPORTANT:** Please ensure that you read through this user manual prior to installation and use. This manual contains important information to ensure optimal performance and keep you safe. Please retain your proof of purchase, as this will be required in the event that you require warranty service. Remember to retain this manual for future reference.

---

# CONTENTS

WARNING & SAFETY INFORMATION	3
OPERATING INSTRUCTIONS	4
MAINTENANCE & TROUBLESHOOTING	6
INSTALLATION & DUCTING	7
CONTACT DETAILS	Cover

---

# WARNING & SAFETY INFORMATION

## TECHNICAL GUIDANCE

- There shall be adequate ventilation of the room when the rangehood is used at the same time as appliances burning gas or other fuels.
- There is a fire risk if cleaning is not carried out in accordance with the instructions.
- Exhaust air must not be discharged into an existing flue which is used for exhausting fumes from appliances burning gas or other fuels.
- The minimum distance between the hob surface and the lowest part of the rangehood is 600mm. This distance shall be at least 650mm, if the rangehood is installed over a gas hob. If the instructions for the gas hob specify a greater distance, this has to be taken into account.
- Attention should be given to ensure that any applicable regulations concerning the discharge of exhaust air is fulfilled.
- If the supply cord of this equipment is damaged, it must only be replaced by the manufacturer or its service agent or a similarly qualified person in order to avoid a hazard.
- This appliance has been designed for indoor domestic use only.
- **CAUTION:** Accessible parts may become hot when used with cooking appliances.

## DO'S & DONT'S

- Do not flambe under the rangehood.
- Do not remove or inspect the filters whilst the hood is in operation.
- You must read the details concerning the method and frequency of cleaning.

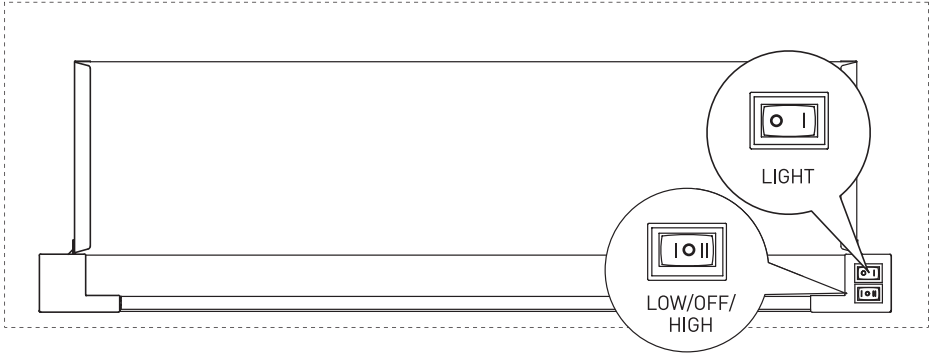
## SAFETY WITH CHILDREN

- This appliance is not intended for use by persons (including children) with reduced physical, sensory or mental capabilities, or lack of experience and knowledge, unless they have been given supervision or instruction concerning use of the appliance by a person responsible for their safety.
- Young children should be supervised to ensure that they do not play with the appliance.

---

# OPERATING INSTRUCTIONS

## 600 SLIDEOUT RANGEHOOD



**IMPORTANT:** To operate the unit, ensure that the power is turned on and the front visor is fully extended. This will provide access to the light and speed controls.

### FAN SPEED

LOW/OFF/HIGH switch - Located on the right hand side of the unit.

This unit features 2 speed settings; single line indicate low speed, double lines indicate the high speed.

To turn the unit off, you can either slide the visor into the closed position or set the speed switch to the middle position (off).

### LIGHT

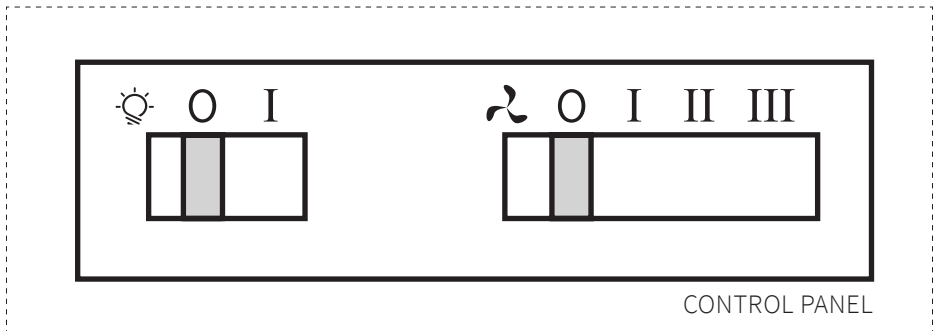
On/Off switch - Located on the left hand side of the unit as indicated in the diagram above.

**NOTE:** The lights turn off when the visor is closed.

LAMP TYPE: GU10 - 3W LED (x2)

# OPERATING INSTRUCTIONS

## 900 SLIDEOUT RANGEHOOD



**IMPORTANT:** To operate the unit, ensure that the power is turned on and the front visor is fully extended.

### FAN SPEED

OFF/LOW/MEDIUM/HIGH SLIDING SWITCH - Located on the right hand side of the control panel.

This unit features 3 speed settings; single line indicate low speed, double lines indicate the medium speed & triple lines indicate high speed.

To turn the unit off, you can either slide the visor into the closed position or set the speed switch to the 0 position (off).

### LIGHT

ON / OFF Sliding Switch - Located on the left hand side of the control panel as indicated in the diagram above.

**NOTE:** The lights turn off when the visor is closed.

LAMP TYPE: GU10 - 3W LED (x2)

---

# MAINTENANCE & TROUBLESHOOTING

## GENERAL MAINTENANCE

Ensure that the power to the unit is switched off prior to cleaning the unit. The surface should only be cleaned with warm soapy water and a soft non-abrasive cloth. In coastal environments and humid areas more frequent cleaning is required to maintain the finish.

## FILTERS - 600 Slideout Rangehood

The 600 Slideout Rangehood unit is supplied with **Aluminium** filters designed for ducted installations. Aluminium filters are dishwasher safe or can be cleaned with hot soapy water. Ensure that filters are thoroughly dry before re-installing.

You may want to order **Carbon** filters designed to eliminate odours from the exhaust fumes when installing the appliance for recirculating mode. This type of filter cannot be cleaned and should be replaced every 3-6 months depending on use.

## FILTERS - 900 Slideout Rangehood

The 900 Slideout Rangehood unit is supplied with **Rectangular Carbon** filters designed to eliminate odours from the exhaust fumes when installing the appliance for recirculating mode. This type of filter cannot be cleaned and should be replaced every 3-6 months depending on use.

You may want to order **Aluminium** filters designed for ducted installations. Aluminium filters are dishwasher safe or can be cleaned with hot soapy water. Ensure that filters are thoroughly dry before re-installing.

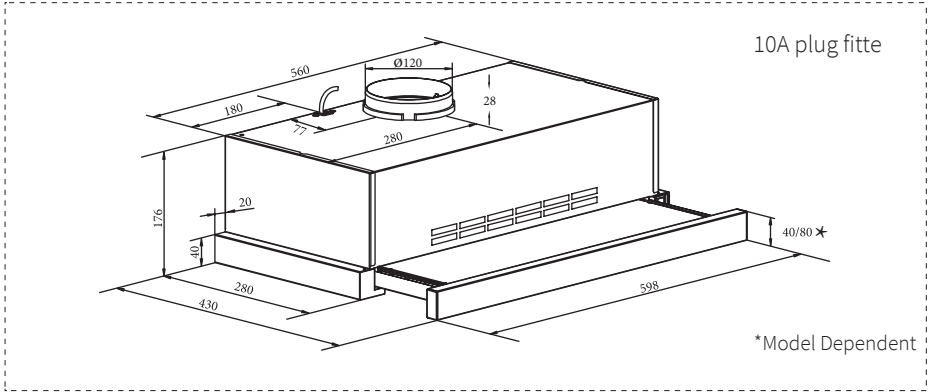
## LAMPS

Before replacing, ensure that the lamps are completely cool and the power to the unit has been switched off. Replacement Lamps can be purchased from customer care. Contact details on front page.

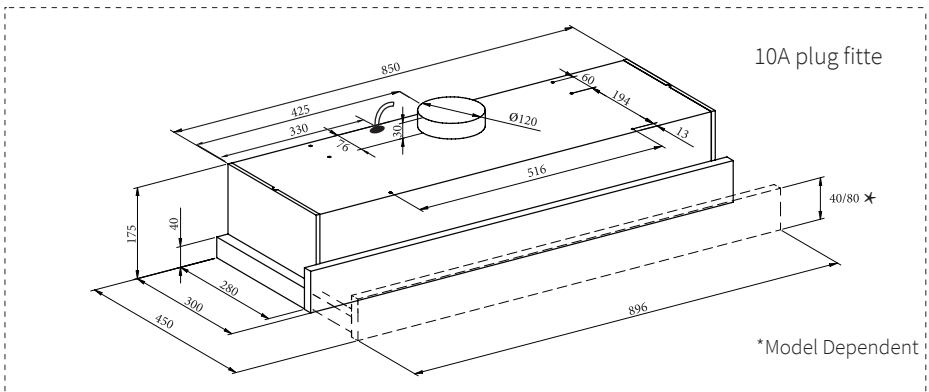
To remove lamp, unscrew and remove the plastic cover, twist the bulb in an anti-clockwise direction. Be careful when installing the new lamp not to make contact with the skin as this may damage the lamp and shorten its life.

# INSTALLATION & DUCTING

## 600 SLIDEOUT RANGEHOOD



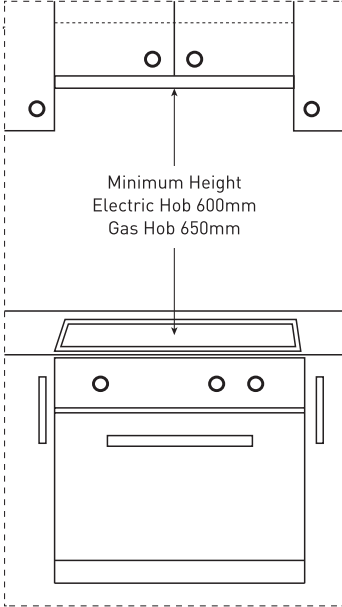
## 900 SLIDEOUT RANGEHOOD



**NOTICE:** All measurements shown are to be used as a guide only, cutout dimensions should be taken from physical product.

# INSTALLATION & DUCTING

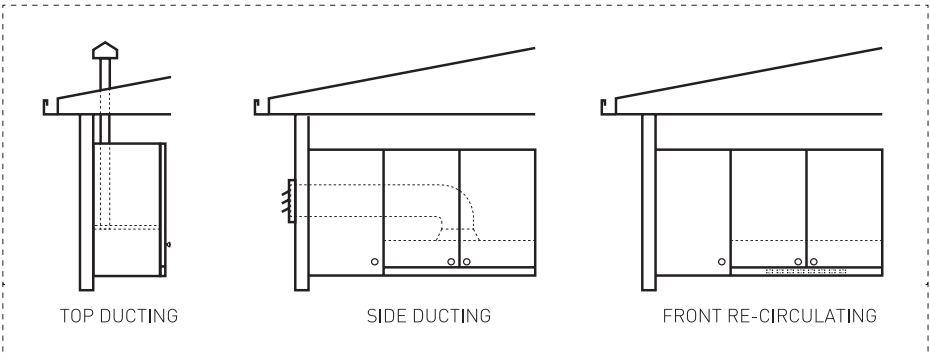
**IMPORTANT:** Before handling the rangehood during the installation, it is recommended that you remove the filter to prevent damage.



The image to the left, illustrates the minimum height from the hob surface to the underside of the rangehood.

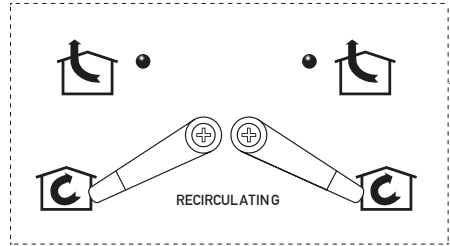
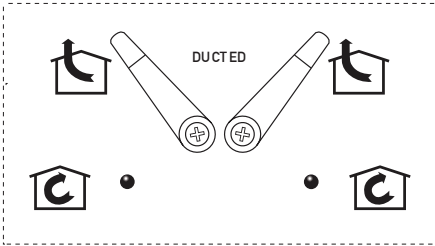
Electric hob - 600mm  
Gas hob - 650mm.

**NOTICE:** IF THE INSTRUCTIONS FOR THE GAS HOB SPECIFY THE GREATER DISTANCE, THIS HAS TO BE OBSERVED. ANY INSTALLATION ABOVE 750MM WILL COMPROMISE PERFORMANCE.





# INSTALLATION & DUCTING



## DUCTED OPTION (if your model permits)

1. Remove the filter.
2. Optional - replace the 80mm front rail with the 40mm front rail
3. Make sure that the internal switch is in ducted position. (see above)
4. Determine the most efficient path for the ductwork, minimise bends and keep the length of the ductwork to a minimum.
5. Before fixing the range hood, drill a hole to accommodate the 125mm ducting that you have selected.
6. It is important to run and finish (install roof/ wall caps) prior to installation of the hood.
7. Ensure that the access has been allowed for the power cable and plug after installation.
8. Remove the 120mm ducting cover plate and attach the ducting adaptor.
9. Hold the hood up to the underside of the cabinet. Screw the rangehood to the underside of the cabinet. Ensure that you do not damage any of the wiring during installation.
10. Attach the ducting adaptor to the ducting.
11. Re-install filter.
12. Plug in the power to the unit, turn on and test.

## RE-CIRCULATING OPTION (if your model permits)

1. Remove the filters.
2. Remove the front vents. Do not remove the top 120mm outlet cover.
3. Make sure that the internal switch is in recirculating position. (see above)
4. Drill 4 fixing holes as per the drawing. Ensure that the access has been allowed for the power cable and plug.
5. Hold the hood up to the underside of the cabinet with the corresponding holes in the hood. Screw the 4 screws from the cabinet side.
6. Re-install filters.
7. Plug in the power to the unit, turn on and test.

**Note:** When the rangehood is re-circulating, carbon filters must be installed.  
(See *Maintenance & Troubleshooting*)

**WARNING:** DO NOT penetrate any screws into the range hood as this may result in electrical hazards.

**WARNING:** Failure to install the screws or fixing device in accordance with these instructions may result in electrical hazards.

---

# NOTES

---

---

---

---

---

---

---

---

---

---

---

---

---

---

---

---

---

---

---

---

---

---

---

---

---

---

---

---

---

---

---

---

---

---

---

---

---

---

---

---

---

---

---

---

---

---

---

---

---

---

---

---

Version 1.8

---

We are committed to ongoing research and development. Every effort has been made to ensure all information in the user manual is correct at time of going to print. Dimensions should be used as a reference only and actual dimensions should be taken from the physical product.