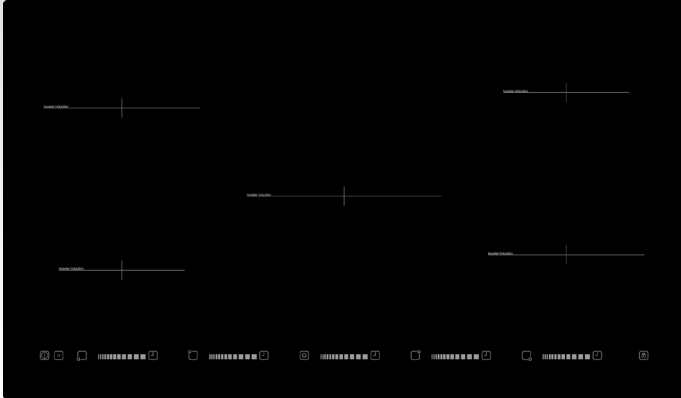


# TIT95VE

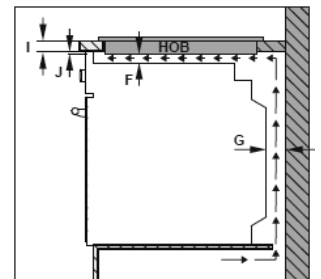
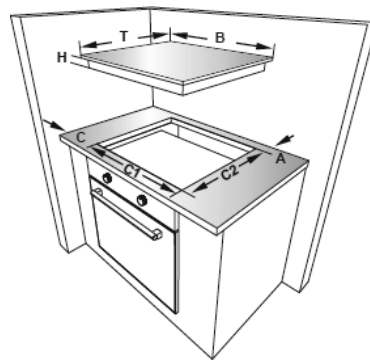
9351116006013



- 90cm Frameless Induction Cooktop
- Sensor Touch Control
- 5 Cooking Zones
- 9 Power Levels + Booster
- Easy Clean Ceramic Glass
- Child Lock
- Residual Heat Indicator

## TECHNICAL SPECIFICATIONS

<b>DIMENSIONS</b>	W890 x D520 X H56
<b>BUILT IN DIMENSIONS</b>	W860 x D490
<b>CONTROL TYPE</b>	Touch
<b>HOB COLOUR</b>	Black
<b>COOKING ZONES</b>	5 Cooking Zones
<b>ELEMENT TYPE</b>	Induction
<b>HOB STYLE</b>	Frameless
<b>RESIDUAL HEAT INDICATOR</b>	Yes
<b>AUTO SAFTEY CUTOUT</b>	Yes
<b>RATED VOLTAGE</b>	220-240V~
<b>TOTAL CONNECTED LOAD</b>	10800W
<b>POWER AMPS</b>	45 Amps
<b>CONNECTION</b>	Hardwired
<b>APPROVAL</b>	AS/NZS Certificate
<b>CARTON</b>	Full Styrofoam
<b>PACKAGING DIMENSIONS</b>	W941 x D583 x H152
<b>GROSS WEIGHT</b>	17.78KG
<b>NETT WEIGHT</b>	16.21KG



<b>B (MM)</b>	890
<b>T (MM)</b>	520
<b>H (MM)</b>	56
<b>C1 (MM)</b>	860
<b>C2 (MM)</b>	490
<b>D (MM)</b>	50
<b>J (MM)</b>	5

<b>MIN. A (MM)</b>	50
<b>MIN. C (MM)</b>	50
<b>MIN. E (MM)</b>	800
<b>MIN. F (MM)</b>	10
<b>G (MM)</b>	20
<b>I (MM)</b>	38

**WARNING:** technical specifications and product sizes can be varied by the manufacturer, without notice. Cut outs for appliances should only be by physical product measurements. The above information is indicative only.