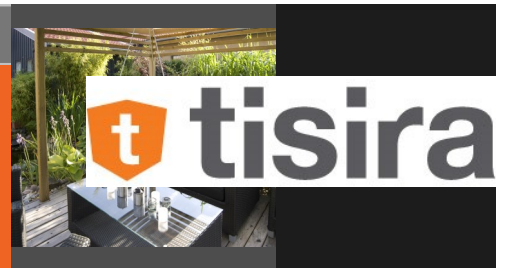


TOC969E

90cm Built In Oven



90cm Built In Wall Oven

Features and Benefits:

9 Functions including:	Light, Fan, Lower and upper heat, lower-upper heating element and fan, turbo heat and fan, steam cleaning, grill and fan, grill, multifunctional cooking.
Removable glass door and side rails	Makes cleaning the oven easier by allowing you to bring the components up to bench height rather than kneeling down into the oven.
Electronic Programmable Timer	Easy to use 3 button timer makes it simple to set and forget.
Stainless Steel and black glass design	Stylish design fits in with the most modern kitchen aesthetics
Triple Glazed Door	Cool touch door makes it safer for all the family in the kitchen. Less chance of burning yourself if the door is accidentally touched while the oven is on.

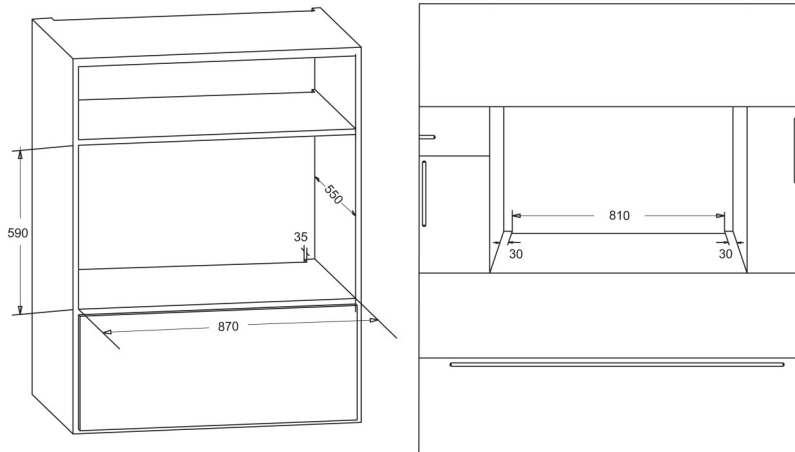
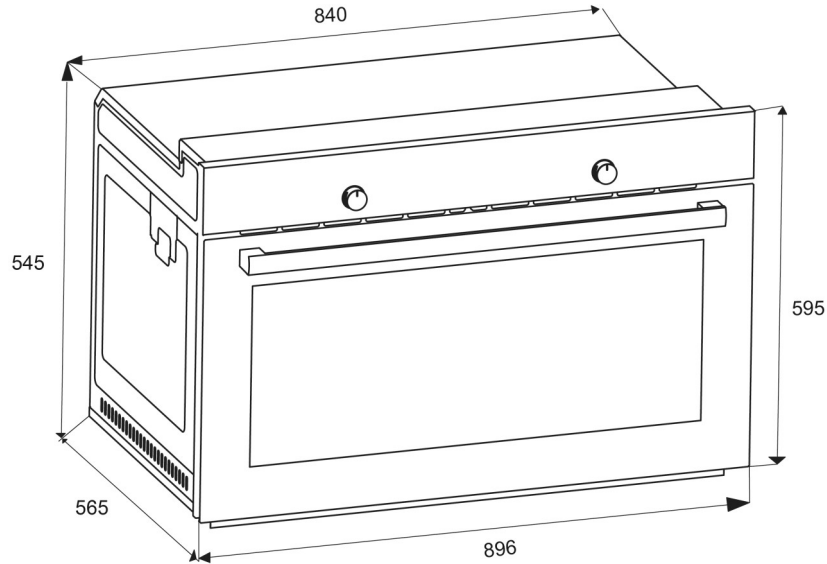
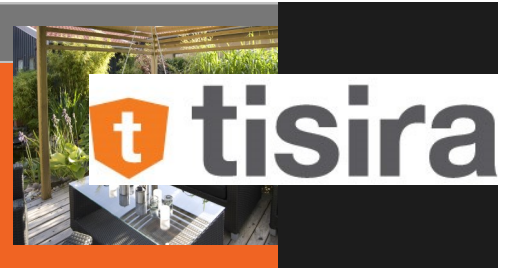
WARNING: technical specifications and product sizes can be varied by the manufacturer, without notice. Cut outs for appliances should only be by physical product measurements. The above information is indicative only.

Distributed by Arisit Pty Ltd

40-44 Mark Anthony Drive, Dandenong South VIC 3175 Ph: 1300 762 219 Fax: 03 9768 0838 Website: www.arisit.com

TOC969E

90cm Built In Oven



Technical Specifications:

No. Functions	9
Oven Capacity (Gross)	121L
Timer	Electronic
No. Door Glass	3
Cleaning	Manual
Finish	Stainless Steel
Dimensions (W) x (H) x (D)	896 x 595 x 610

Technical	
Accessories	2 x grids, 1 x drip tray with wire insert,
Cooling Fan	Y
Absorbed Power	2800-3400W
Connection	220-240V / 50/60Hz / 15A

WARNING: technical specifications and product sizes can be varied by the manufacturer, without notice. Cut outs for appliances should only be by physical product measurements. The above information is indicative only.