

USER MANUAL

600 // SIDE OPENING ELECTRIC OVEN

TODS609B-R/L

IMPORTANT // Please ensure that you read through this user manual prior to installation and use. This manual contains important information to ensure optimal performance and keep you safe. Please retain your proof of purchase, as this will be required in the event that you require warranty service. Remember to retain this manual for future reference.

 **tisira**

Version 1.1

www.tisira.com

CONTENTS

Warning & Safety Information	3-4
Product Specifications	5
Product Overview	6-7
Electrical Connection	8
Installation	9-10
Operating Instructions	11-12
Maintenance	13-16
Proof of Purchase	17
Contact Details	18

WARNING & SAFETY INFORMATION

- This appliance is designed for indoor domestic use only. The manufacturer will not be held liable for any damages that might arise from incorrect installation or improper, incorrect or unreasonable use of the appliance.
- This appliance is not intended for use by persons (including children) with reduced physical, sensory or mental capabilities, or lack of experience and knowledge, unless they have been given supervision or instruction concerning use of the appliance by a person responsible for their safety.
- The electrical system of the appliance may be only used safely when it is correctly connected to an efficient earthing system in compliance with the safety standards currently in effect.
- The electrical connection must be accessible after installation. The appliance must be electrically isolated before any maintenance is performed, including changing the light globe.
- Young children should be supervised to ensure that they do not play with the appliance.
- There is a fire risk if cleaning is not carried out in accordance with the instructions. Read the details concerning the method and frequency of cleaning.
- If the supply cord of this equipment is damaged, it must only be replaced by the manufacturer or its service agent or a similarly qualified person in order to avoid a hazard.
- This appliance must be installed correctly by a suitably qualified person, strictly in accordance with the manufacturer's instructions as well as the local governing body.
- Never line the bottom of the oven with aluminium foil or rest pans on the base of the oven, as this will damage your oven's enamel coating and void warranty.

WARNING & SAFETY INFORMATION

- When the appliance is not in use it must be left in the 'off' position.
- All cabinetry and surrounding materials that is used in the installation of this oven must be able to withstand a minimum 50°C above the ambient room temperature whilst the oven is in use. Consult your kitchen manufacturer to ensure the surfaces will not be affected by heat. Damage caused by the appliance that is not installed in accordance with the temperature limit will be the liability of the owner.

NOTE // On first use, the oven may smoke and emit a smell during heat up. This is normal, wait to use the oven until the smoke has stopped emanating from the oven. This only occurs the first time the appliance is heating up and won't reoccur.

WARNING // The oven will become hot during and after use.

- Only use the handle to open the oven. It is best to place your hand in the center of the handle, as hot steam will escape from the extremities when opening the oven door.
- Do not touch the heating elements inside the oven to avoid burns.
- Do not place food or baking trays on the base of the oven, always use the racks.
- Children should not operate the appliance.
- Use heat resistant cooking gloves wherever possible when moving food and accessories in and out of your oven.

PRODUCT SPECIFICATIONS

TODS609B-R/L

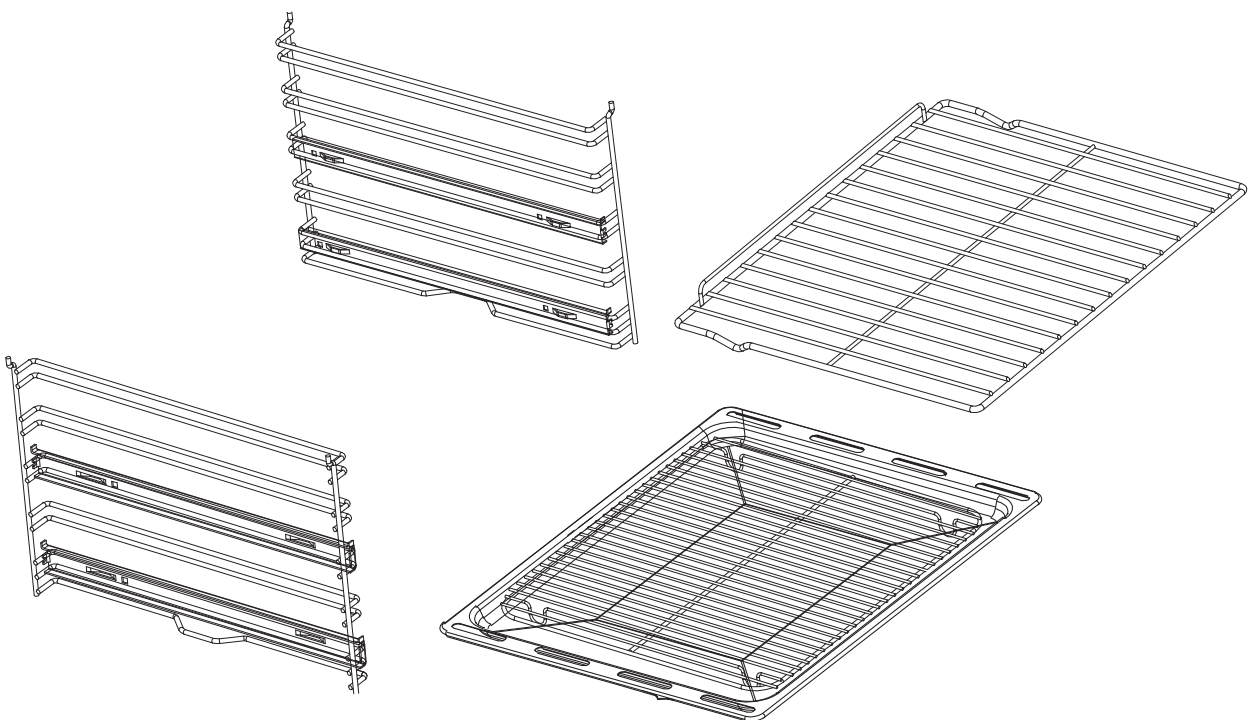
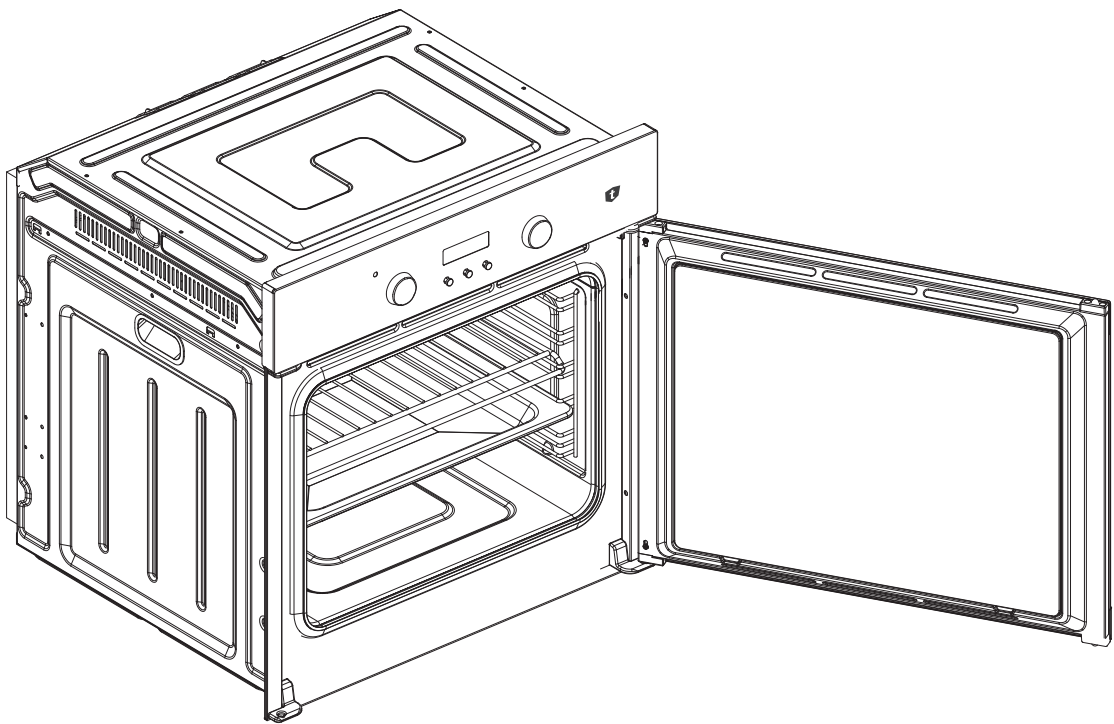
Gross Capacity	73 Litres
Supply Voltage	220-240V 50Hz
Oven Light	15 Watts
Thermostat	50-250 °C
Total Power	2700 - 3220 Watts
Bottom Heating Element	1200 Watts
Top Heating Element	1000 Watts
Full Grill Heating Element	1900 Watts
Rear Heating Element	2100 Watts

PRODUCT OVERVIEW

TODS609B-R/L

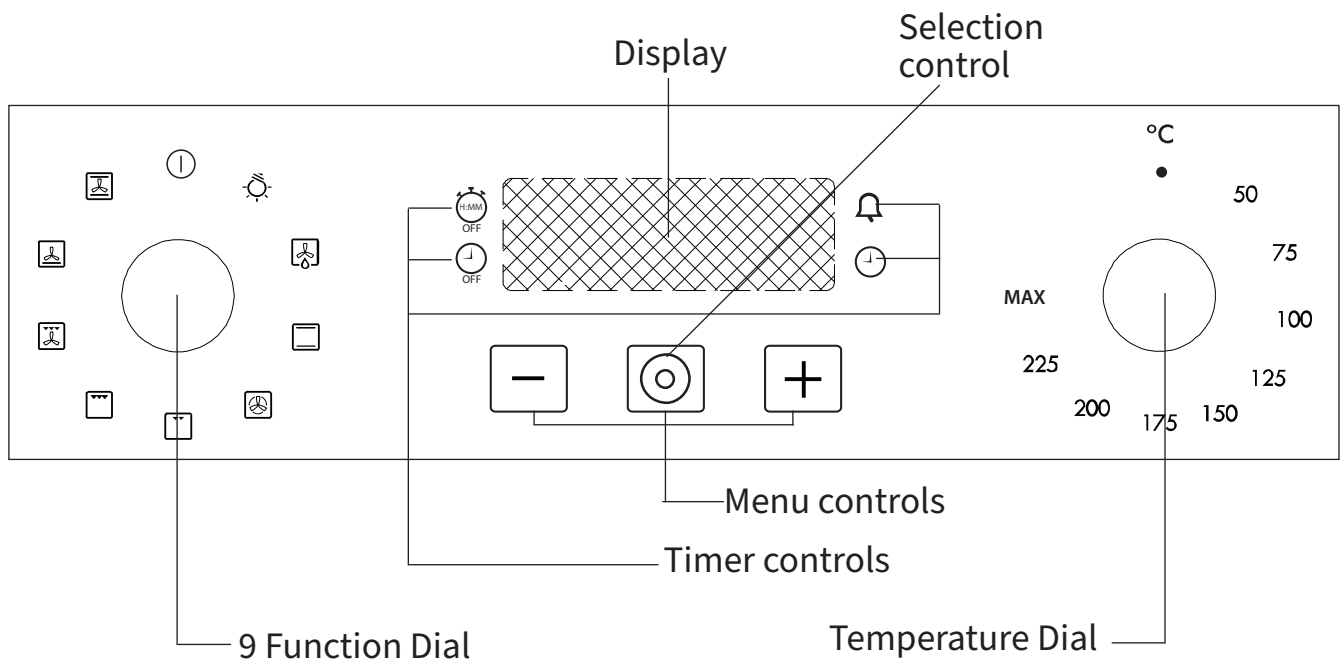
Included:

- 2 sets of telescopic rails
- 1 wire rack
- 1 baking tray with wire insert



PRODUCT OVERVIEW

TODS609B-R/L



Timer - Signal sounds when time has elapsed, however oven remains on.



Clock - To set and check the time. (used by the Cooking Timer to determine when oven shuts off.)



Cooking Alarm - Set countdown duration when oven is to shut off.



Cooking Timer - Set clock when oven is to shut off.

ELECTRICAL CONNECTION

NOTICE // This appliance must be connected by a licensed electrician and installed in accordance with the manufacturer's instructions.

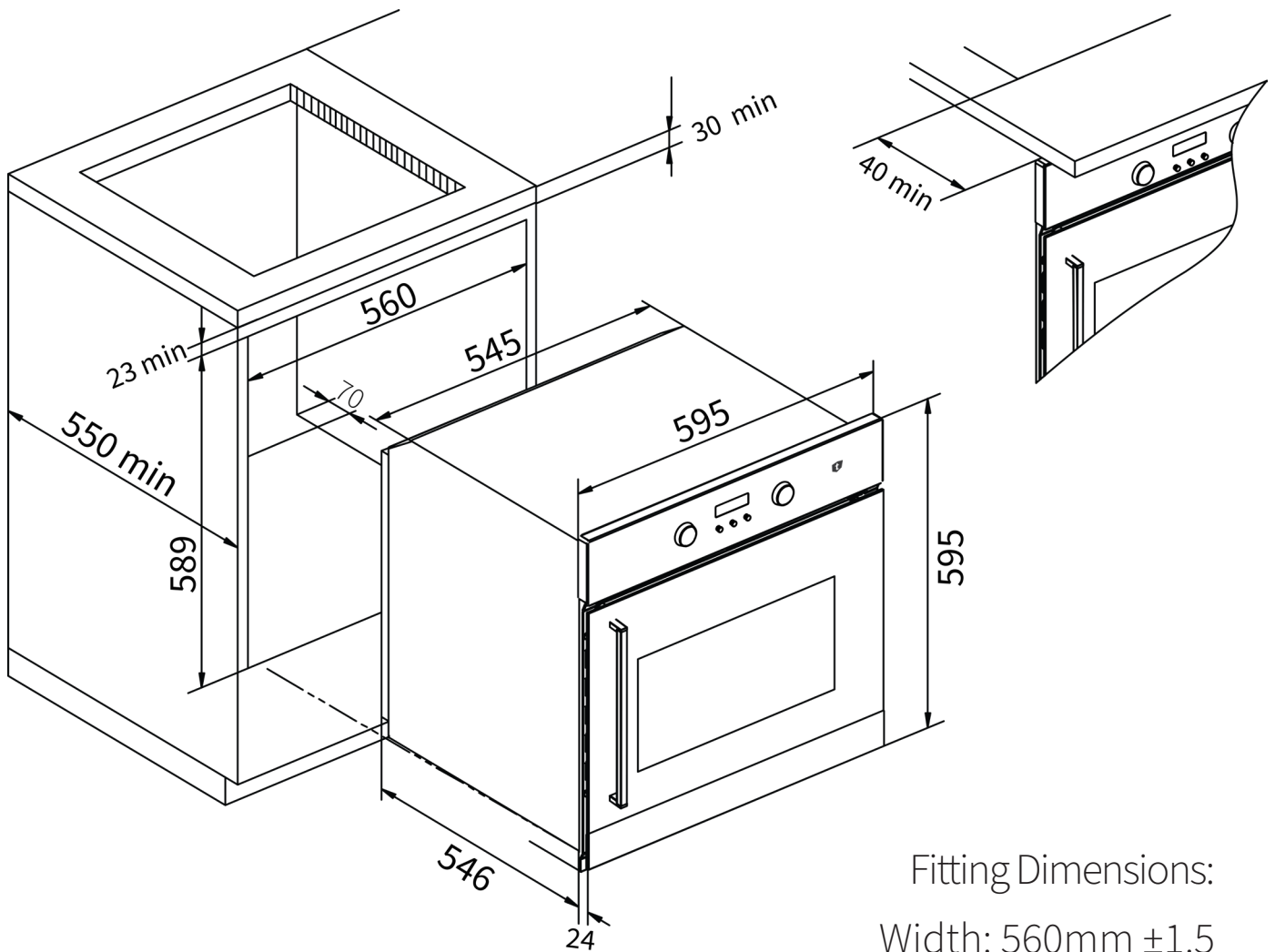
- Check that the power rating of the mains supply and of the sockets are suitable for the maximum power of the appliance as indicated on the specification plate. This oven must be connected to a 220-240V 50Hz power supply. It is earthed via the cord and 15A plug.
- If the appliance is fitted with a supply lead and is not fitted with a plug, then permanently connect it to the fixed wiring as follows:
 1. The “yellow/green” earth wire, which must be connected to terminal, has to be about 10mm longer than the other wires; the “blue” neutral wire has to be connected to the terminal marked with letter N.
 2. “Black, brown, red” live wires have to be connected to terminal L. Mains connection can also be made by fitting a double pole switch with a minimum gap between the contacts of 3mm,

proportionate to the load and complying with the regulations in force.

3. The yellow/green earth wire should not be controlled by the switch.
4. The plug or a double pole switch used for mains supply connection should be easy to get at, once the appliance is in position.

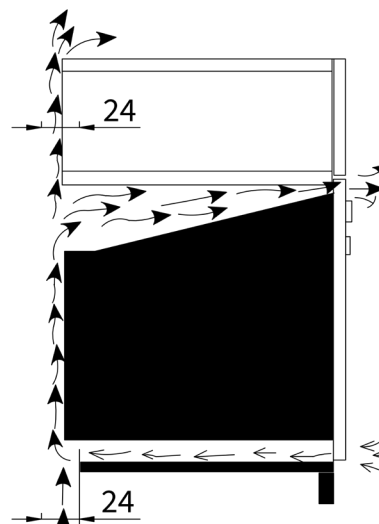
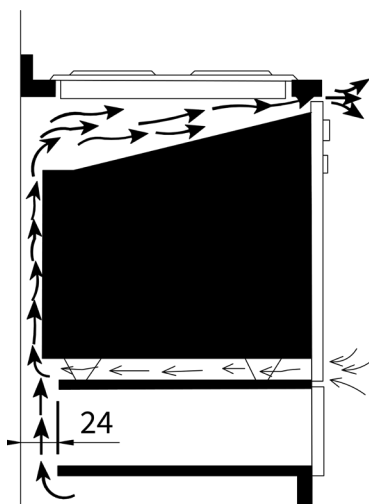
IMPORTANT // Position the mains supply cable so that it is never subjected to a temperature which is more than 50°C above ambient temperature. The electrical safety of the appliance can only be guaranteed when it has been correctly connected to an efficient earthed power supply, as laid down in the regulations for electrical safety. The manufacturer cannot be held responsible for any damage to persons or objects due to lack of an earth connection. If the supply cord is damaged, it must be replaced by the service agent or similarly qualified person in order to avoid a hazard.

INSTALLATION

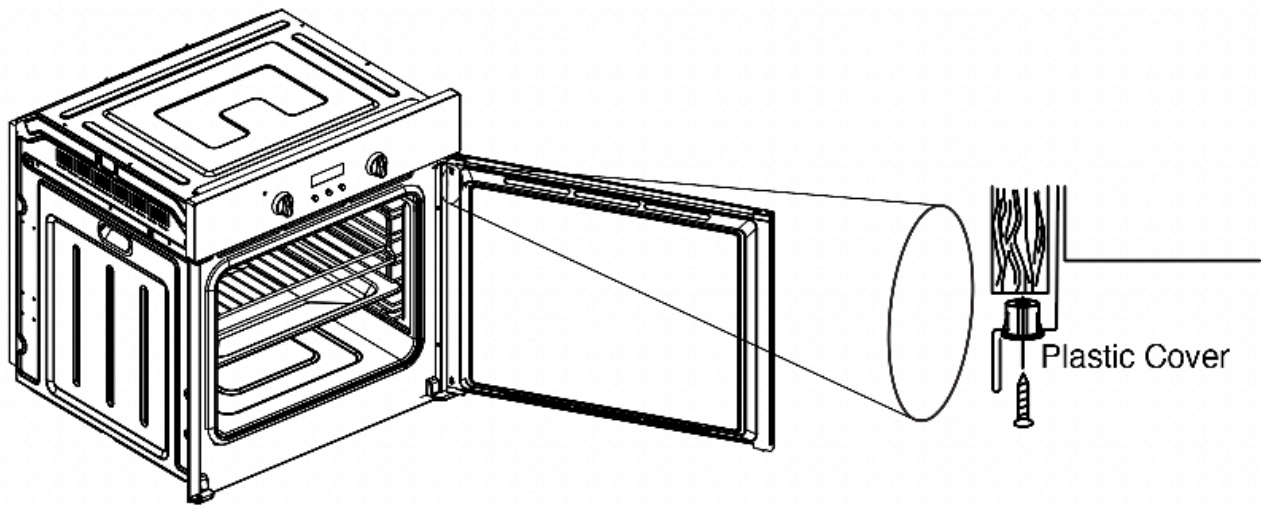


Fitting Dimensions:
Width: 560mm \pm 1.5
Height: 589mm \pm 2.5

*all measurements in mm



INSTALLATION












IMPORTANT // The panels of the adjoining furniture should be heat resistant. Particularly when the adjoining furniture is made of veneered wood, the adhesives should be able to withstand a temperature of 120°C. To comply with safety regulations, once the appliance has been fitted it should not be possible to make contact with the electrical parts. All parts, which offer protection, should be fixed in such a way that they cannot be removed without the use of a tool. To ensure that the oven works as intended it is important to install the

unit as shown in the diagram and allow enough airflow to enable the oven's cooling system to perform.

Fit the appliance into its surround (beneath a work-top or above another appliance) by inserting screws into the 2 holes that can be seen in the frame of the oven when the door is open.

NOTE // If the oven is installed underneath a hob, it is essential to also follow the installation instruction for the hob.

OPERATING INSTRUCTIONS

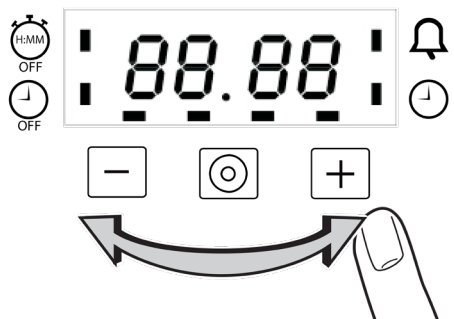
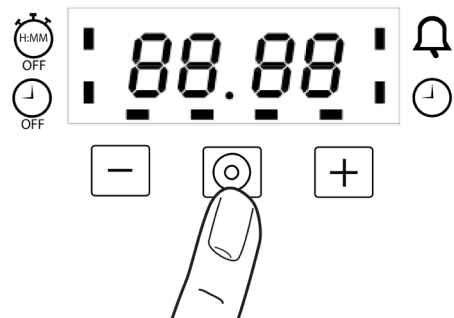
	Name	Description
	Light	Operates the internal oven light.
	Fan assisted defrost	Operates the fan only for defrosting food efficiently, oven does not heat.
	Top + Bottom heat	Top and bottom elements operate together, most effective when only one baking tray is used.
	Convection heat	Fan and rear element operate together, and evenly distribute heat throughout the oven, effective for most applications especially when using multiple levels.
	Medium Grill	A section of the grill element operates, useful for grilling smaller foods.
	Full Grill	Full grill element operates, usefull for grilling larger foods.
	Fan assisted Grill	Full grill element and fan operate, useful for grilling foods while also efficiently heating the food throughout by the airflow created.
	Fan assisted Bottom heat	Bottom element and fan operate, useful to cooking foods from the bottom while also effecetively heating the food throughout by the airflow created.
	Fan assisted Top + Bottom heat	Top, bottom element and fan operate creating a more efficient and even heat transfer compared to “top + bottom heating” only.

OPERATING INSTRUCTIONS

Setting the Clock

The oven only operates, once the clock has been set.

1. The clock symbol will flash when first plugged in, or if there has been a power cut.
2. To change the time, press the selection control repeatedly until the clock symbol flashes.
3. Set the clock with the - and + menu controls.
4. After 5 seconds, the clock will stop flashing and the time has been set.
5. The appliance is ready for use.



Setting the timer, cooking alarm or cooking timer

1. Press selection control until the intended mode flashes.
2. Set duration (or clock for cooking timer) using the - and + controls.
3. After 5 seconds the mode selected will stay illuminated and start.
4. When the mode has finished, the oven will sound for 2 minutes (and turn off if cooking alarm/timer mode was selected), press any button to stop the alarm.
5. Ensure oven dials are turned off manually.

Select start and end time

It is possible to set a start time and end time for the oven. I.e. the oven will turn on after the duration selected and turn off at the time of day selected:

1. Use the cooking alarm to set the duration. The oven will wait to turn on.
2. Use the cooking timer to set the time of day when the oven will turn off.
3. Both lights will illuminate when this mode is selected.
4. Set the oven to the intended function and temperature.
5. The oven will automatically turn on, turn off and sound an alarm at completion.
6. Ensure oven dials are turned off manually.

NOTE // The clock can only be changed when no timer modes are active.

MAINTENANCE

General Maintenance

Ensure that the power to the unit is switched off prior to cleaning the unit. Surface should only be cleaned with warm soapy water and a soft non abrasive cloth. In coastal environments and humid areas more frequent cleaning is required to maintain the finish.

To extend the life of your oven, it must be cleaned frequently, keeping in mind that:

- Do not use steam equipment to clean the appliance.
- To protect against the risk of electrical shock, do not immerse the unit, cord or plug in water or other liquid to clean appliance.
- Don't clean the appliance when it is hot. The inside and external surface of the oven should preferably be cleaned with a damp cloth when it is cooled down.
- Wash all accessories in hot soapy water, wipe dry with a paper or cloth towel.
- If you use your oven for an extended period of time, condensation may form.
- Dry using a soft cloth.
- There is a rubber seal surrounding the oven opening, which affects the functionality. Check the condition of this seal on a regular basis. If necessary, clean it and avoid using abrasive products or objects to do so. Should it become damaged, please contact your nearest service centre. We recommend you avoid using the oven until it has been repaired.
- Never line the oven bottom with aluminum foil, as the consequent accumulation of heat could compromise the cooking and damage the enamel.
- Clean the glass door using damp cloth and dry it with a soft cloth.
- Do not use harsh abrasive cleaners or sharp metal scrapers to clean the oven door glass since they can scratch the surface, which may result in shattering of the glass.

MAINTENANCE

Replacing oven lamp

Should the oven lamp fail, contact customer service to acquire a replacement lamp.

1. Unplug oven.
2. Unscrew the glass cover attached to the lamp holder.
3. Remove the lamp, and replace.
4. Screw on glass cover and plug in oven.

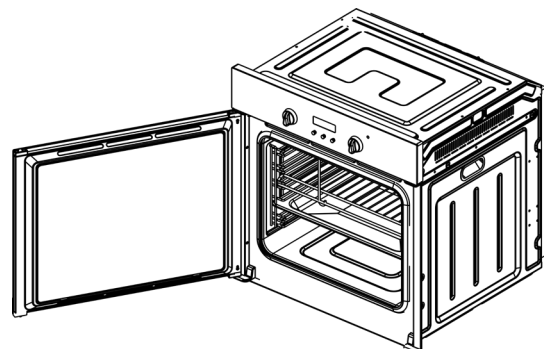
NOTE // Use protective gloves to handle lamp, and wait for oven to be completely cooled down.

MAINTENANCE

Switching Door Orientation*

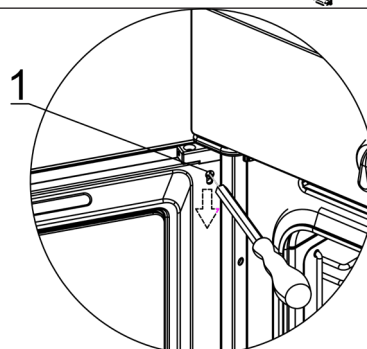
1

Open door to correct angle,
as shown.



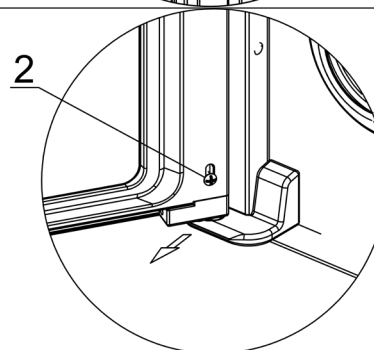
2

Unscrew screw 1, then push
downward.
Pull door out from fixed support.



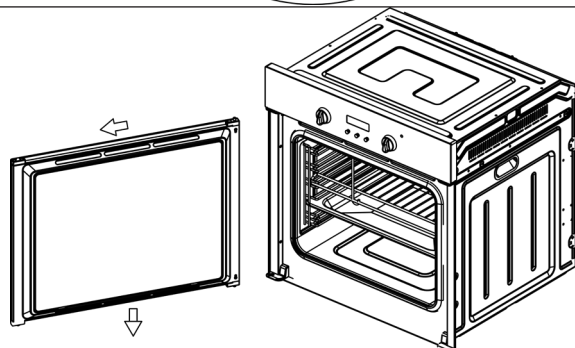
3

Remove door.



4

Door has been removed from door
fulcrum.

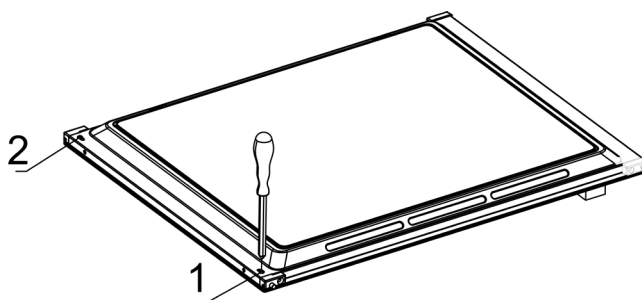


**to be completed by licensed service technician, in accordance with instructions.*

MAINTENANCE

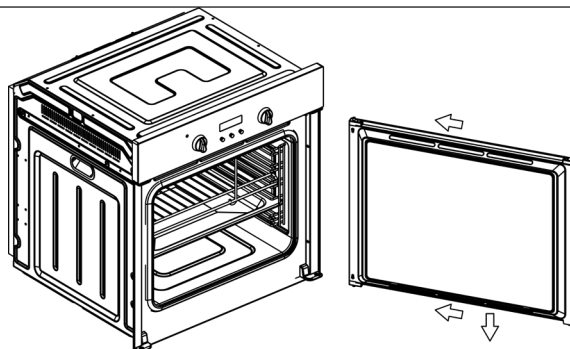
5

Screw in screw 1,
unscrew screw 2.



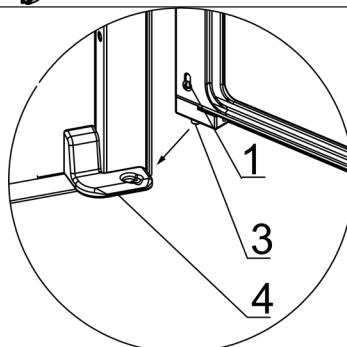
6

Rotate the door, screw 1 should now be
on the bottom.



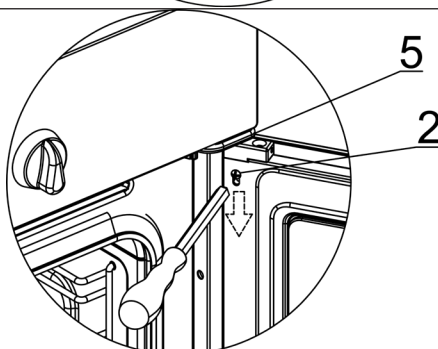
7

Place spindle into fulcrum at the base
of the oven.



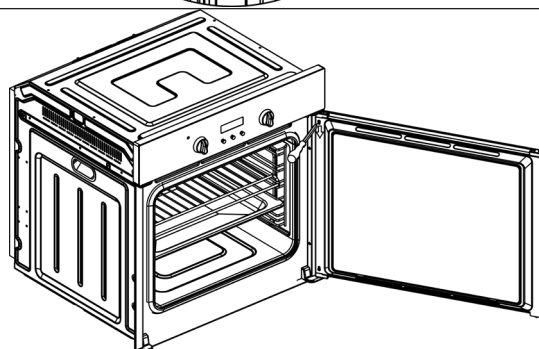
8

Screw in screw 2.



9

Door has now been reversed.



PROOF OF PURCHASE

ATTACH YOUR PROOF OF PURCHASE
FOR FUTURE REFERENCE

CONTACT DETAILS

ARISIT PTY LIMITED AUS/NZ

40-50 Mark Anthony Drive
Dandenong South, VIC 3175
Australia

P // 1300 762 219
E // arisit@arisit.com

Tisira is committed to ongoing research and development. Every effort has been made to ensure all information in this user manual is correct at time of going to print. Dimensions should be used as a reference only and actual dimensions should be taken from the physical product only.

Manufacturer reserves the right to change specifications without notice.

