



TODS609B-R/L

9351116006327

- 600 Electric 9-Function Oven
- Side Opening, Triple Glazed Reversible Door
- Black Control Panel
- Digital Timer (3 Key)
- 73L Capacity

TECHNICAL SPECIFICATIONS

OVEN FUNCTIONS	Light, Defrost, Top + Bottom Heat, Fan-Forced, Medium Grill, Full Grill, Fan Assisted Grill, Fan + Bottom Element, Fan Assisted Top + Bottom Heat
MAIN OVEN TYPE	Electric
OVEN CAPACITY	73L Gross, 67L Net
TEMPERATURE RANGE	50-250°C
DIMENSIONS (mm)	595(w) x 614(d) x 595(h)
CAVITY DIMENSIONS (mm)	484(w) x 363(d) x 418(h)
CABINERY (mm)	560(w) x 550(d) x 589(h)
LOCATION OF CONTROLS	Front - Top
DOOR	Stainless Steel internal structure
DOOR GLASS	Triple glazed
KNOB TYPE	Round
KNOB COLOUR	Black
HANDLE COLOUR	Black
TIMER TYPE	3 Key Touch Digital
MAIN CAVITY	Black Enamelled Steel
REMOVABLE SIDE RACKS	Yes
OVER-TEMP CUTOFF	Yes
COOLING FAN	Yes
SUPPLY VOLTAGE	220-240V~
SUPPLY FREQUENCY	50Hz
ABSORBED POWER	2700-3220W

OVEN LAMP	25W
TOP HEATING ELEMENT	1900W
GRILL HEATING ELEMENT	1000W
CIRCULAR HEATING ELEMENT	2100W
BOTTOM HEATING ELEMENT	1200W
COOLING FAN	25W
OVEN FAN	33W
CONNECTION	15A Plug
CABLE LENGTH	1200mm
BOX	Brown Carton
DIMENSION	655 x 660 x 655mm
GROSS WEIGHT	36kg
NET WEIGHT	33kg
STACKING HEIGHT	4

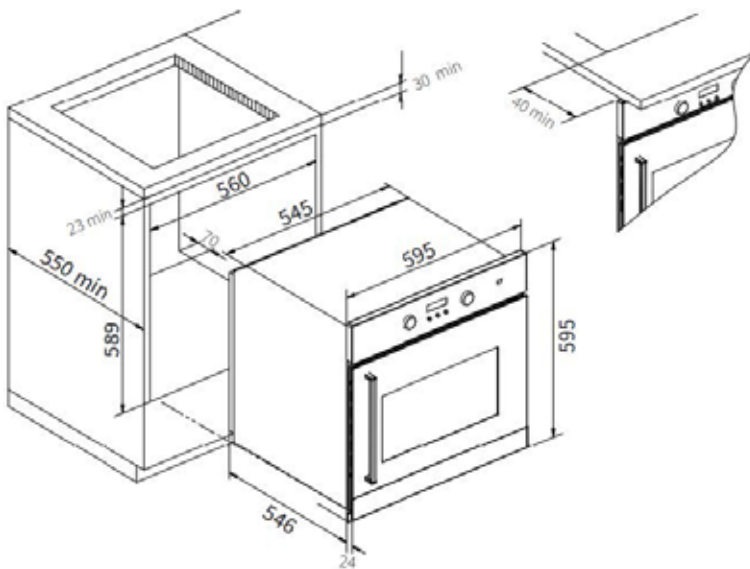


TODS609B-R/L

9351116006327

- 600 Electric 9-Function Oven
- Side Opening, Triple Glazed Reversible Door
- Black Control Panel
- Digital Timer (3 Key)
- 73L Capacity

INSTALLATION DETAILS



OVERALL HEIGHT OF OVEN	595	MINIMUM INSIDE HEIGHT OF CAVITY	595
OVERALL WIDTH OF OVEN	595	MINIMUM INSIDE HEIGHT OF CAVITY	595
OVERALL DEPTH OF OVEN (excluding handle and dials)	570	MINIMUM INSIDE HEIGHT OF CAVITY	570
		OVEN FASCIA THICKNESS	

NOTE: Oven fascia & door is for illustration purposes only, and does not reflect actual product.

WARNING: technical specifications and product sizes can be varied by the manufacturer, without notice. Cut outs for appliances should only be by physical product measurements. The above information is indicative only.