

USER

M A N U A L

SLIM CANOPY RANGEHOODS

WCS60CX-L, WCS60CB-L,
WCS90CX-L, WCS90CB-L

IMPORTANT: Please ensure that you read through this user manual prior to installation and use. This manual contains important information to ensure optimal performance and keep you safe. Please retain your proof of purchase, as this will be required in the event that you require warranty service. Remember to retain this manual for future reference.

CONTENTS

WARNING & SAFETY INFORMATION	3
OPERATING INSTRUCTIONS	4
ELECTRICAL CONNECTION	5
INSTALLATION & DUCTING	6
MAINTENANCE	8
CONTACT	9

WARNING & SAFETY INFORMATION

TECHNICAL GUIDANCE

- There shall be adequate ventilation of the room when the rangehood is used at the same time as appliances burning gas or other fuels.
- There is a fire risk if cleaning is not carried out in accordance with the instructions.
- Exhaust air must not be discharged into an existing flue which is used for exhausting fumes from appliances burning gas or other fuels.
- The minimum distance between the hob surface and the lowest part of the rangehood is 600mm. This distance shall be at least 650mm, if the rangehood is installed over a gas hob. If the instructions for the gas hob specify a greater distance, this has to be taken into account.
- Attention should be given to ensure that any applicable regulations concerning the discharge of exhaust air is fulfilled.
- If the supply cord of this equipment is damaged, it must only be replaced by the manufacturer or its service agent or a similarly qualified person in order to avoid a hazard.
- This appliance has been designed for indoor domestic use only.
- **CAUTION:** Accessible parts may become hot when used with cooking appliances.

DO'S & DONT'S

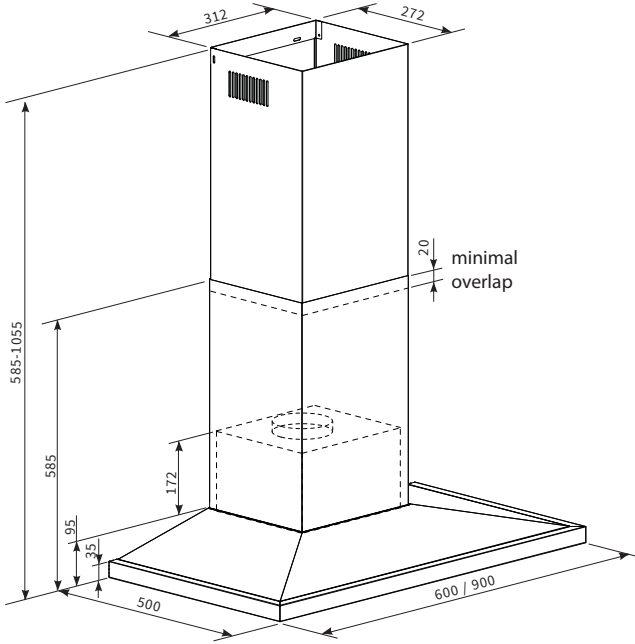
- Do not flambe under the rangehood.
- Do not remove or inspect the filters whilst the hood is in operation.
- You must read the details concerning the method and frequency of cleaning.

SAFETY WITH CHILDREN

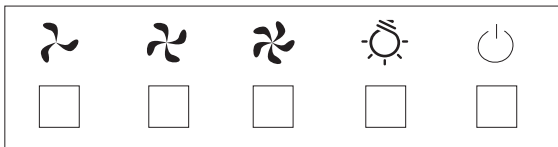
- This appliance is not intended for use by persons (including children) with reduced physical, sensory or mental capabilities, or lack of experience and knowledge, unless they have been given supervision or instruction concerning use of the appliance by a person responsible for their safety.
- Young children should be supervised to ensure that they do not play with the appliance.




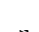

OPERATING INSTRUCTIONS

600 & 900 Slim Canopy Rangehoods



Control Panel



-  Low fan speed
-  Medium fan speed
-  High fan speed
-  Light on/off
-  Motor on/off

ELECTRICAL CONNECTION

NOTICE: This appliance must be connected only by a licensed electrician and installed in accordance with the manufacturers instructions.

- Installation, repairs and other work by unqualified persons could be dangerous, for which the manufacturer cannot be held liable.
- Ensure power is not supplied to the appliance until after installation or repair work has been carried out.
- Do not connect the appliance to the mains electricity supply by an extension lead. These do not guarantee the required safety of the appliance.
- The connection data is given on the data plate. This is visible when the grease filters have been removed. Ensure that this data matches the household mains supply.
- Connection of this appliance should be made via a suitable isolator or a double pole fused spur connection unit which complies with national and local safety regulations and the On-Off switch should be easily accessible after the appliance has been built in.

- When switched off there must be an all-pole contact gap of 3 mm in the switch (including switch, fuses and relays according to EN 60335).
- If the switch is not accessible after installation (depending on country), an additional means of disconnection must be provided for all poles.
- For extra safety it is advisable to install a suitable residual current device (RCD). Contact a qualified electrician for advice.

IMPORTANT: This appliance is supplied for connection to a 230V~50Hz supply.

The wires in the mains lead are coloured in accordance with the following code:

Green/Yellow = Earth

Blue = Neutral

Brown = Live

WARNING: THIS APPLIANCE MUST BE EARTHED

INSTALLATION & DUCTING

HEIGHT OF WALL CANOPY

The chimney is telescopic and is designed for hood installations between 650 to 750 mm above the cooking surface.

Select the desired installation height of the wall canopy.

Any installation above 750 mm will compromise the extraction performance.

For optimal efficiency, use smooth-wall, solid galvanized or plastic ducting for reduced noise and increased airflow.

Flexible ducting should only be used as a last resort (ie in difficult installations) and if used, ensure that it is pulled tight.

The smoother, straighter and shorter the ducting the quieter and more efficient the wall canopy will perform.

NON-RETURN FLAPS

Ensure non-return flaps are installed as per the illustration below.

Incorrect installation can result in non-return flaps falling into the motor and damaging the rangehood.

Incorrect installation is not covered under warranty.

PREPARING THE WALL CANOPY FOR INSTALLATION

Please read all the instructions carefully before installing the wall canopy.

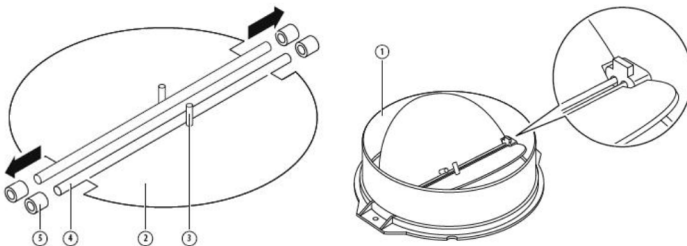
Remove the filters from the canopy to allow access to wall mounting holes.

To remove the filters, pull the relative catch, tilting it downwards until it disengages from the supports. Reverse these instructions when refitting the filters.

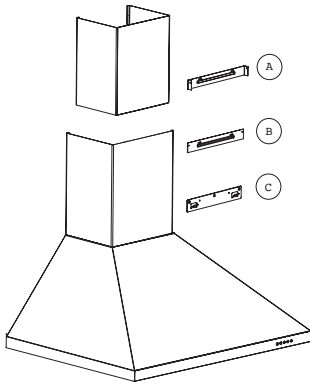
Prior to drilling any holes, check that the area behind the surface to be drilled is clear of any electrical cables or pipes etc.

Stainless Steel/Iridium is very easily damaged during installation if abraded or knocked by tools.

Whenever possible, protect the top of the cooktop with cardboard or the like to prevent damage on installation.



INSTALLATION & DUCTING



1. Mounting to a stud is recommended. However if mounting to other wall types different fasteners will be required.
2. Position the canopy mounting bracket (C) in the required position. Mark and drill the pilot holes. Screw the bracket to the wall, ensuring that the bracket is level as this will determine the final level of the rangehood.
3. Carefully position the rangehood body on the bracket.
4. Position the flue cover mounting brackets (A-B) in the required position. Mark and drill the pilot holes. Screw the brackets to the wall.
5. Attach the ducting to the rangehood and duct according to your requirements (external ducting or recirculating).
6. Install the flue covers and secure the top flue cover to the flue bracket with the provided screws.
7. Refit the filters and power the unit.

WARNING: Do not penetrate any screws into the rangehood as this may result in electrical hazards. Failure to install the screws or fixing device in accordance with these instructions may result in electrical hazards.

MAINTENANCE

IMPORTANT: Switch off and unplug the rangehood at the powerpoint before undertaking any cleaning or maintenance on the unit.

LED REPLACEMENT

To be completed by licensed electrician.

GENERAL MAINTENANCE

To prevent any surface damage never use any abrasive products or products that contain soda, acids, chlorides or solvents.

To clean the surface of the appliance use a mild detergent in warm water, with a soft non-abrasive cloth.

Only use a damp cloth as use of excessive water can penetrate the unit and cause damage.

Dry surface thoroughly after cleaning with a soft cloth to prevent marking of the surfaces.

FILTER MAINTENANCE

To ensure that the rangehood performs at it's best, filters need to be cleaned at least monthly or more frequently with heavy use

The filters can be cleaned using hot soapy water and a soft nylon brush or placed in a dishwasher.

NOTE: Cleaning the filters in the dishwasher may cause permanent discoloration of the surface. This does not in any way affect the performance of the filters.

Charcoal filters cannot be cleaned or reused. Replace filters every 3-6months dependant on use and cooking style. Please dispose of used filters responsibly.

NOTE: Oversaturated filters are a fire hazard so regular cleaning/replacement is a must.

CONTACT

p: 1300 762 219
e: arisit@arisit.com

We are committed to ongoing research and development. Every effort has been made to ensure all information in the user manual is correct at time of going to print. Dimensions should be used as a reference only and actual dimensions should be taken from the physical product.

Installation should be conducted by licensed tradesperson in accordance to current and relevant building codes.