

# WPRU75ASL

## 75CM Undermount Rangehood



### FEATURES & BENEFITS



#### 700m<sup>3</sup>/h Extraction

Removes cooking odours with ease



#### 50/53/58 dB Noise Rating

Quiet operation makes this unit perfect for open plan kitchens.



#### LED Lighting

Giving extra light when needed in the kitchen.



#### 3 Speed Settings

Depending on what you're cooking you can vary the amount of extraction as required.

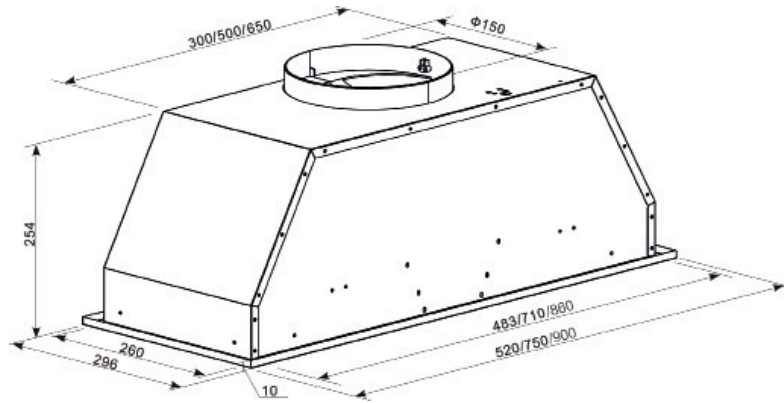
### TECHNICAL SPECIFICATIONS

|                                      |                                     |
|--------------------------------------|-------------------------------------|
| CONSTRUCTION TYPE/<br>PRODUCT FAMILY | Undermount Rangehood                |
| PRODUCT DIMENSIONS                   | (W)750 x (H)254 x (D)296            |
| FASCIA COLOUR                        | Grey/Stainless Steel                |
| SPEED SETTINGS                       | 3                                   |
| LIGHTING TYPE /<br>POSITION          | LED / Front                         |
| CONTROL TYPE /<br>POSITION           | Sliding Switch / Front              |
| COLOUR                               | Stainless steel                     |
| FILTER TYPE                          | Aluminium or Optional Carbon Filter |
| FILTER CLEANING                      | Dishwasher Safe                     |
| MOTOR                                | Single                              |
| NOISE RATING                         | (LOW) 50dB, (MID) 53dB, (HIGH) 58dB |
| DUCTING DIAMETER                     | 150mm                               |
| DUCTING DIRECTION                    | Can be top or rear                  |
| LENGTH OF POWER<br>CABLE             | 1500mm                              |
| ELECTRICAL CONNECT<br>REQUIREMENTS   | 10A                                 |
| VOLTAGE (V)                          | 240V                                |
| FREQUENCY (HZ)                       | 50Hz                                |
| WEIGHT (kg)                          | 8.5kg (GROSS) / 7.5kg (NET)         |
| APPROVAL CERTIFICATES                | CE                                  |

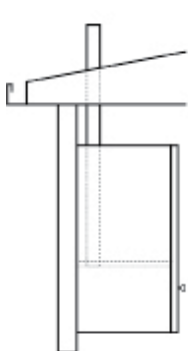
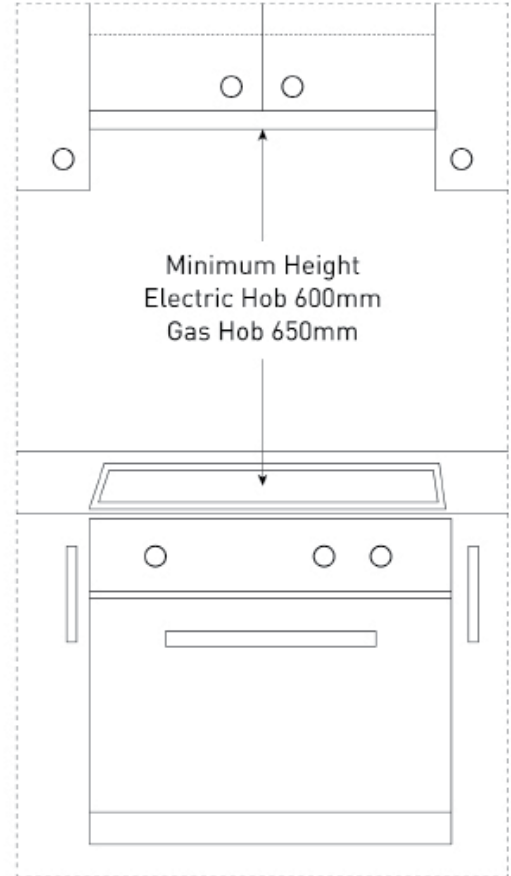
# WPRU75ASL

## 75CM Undermount Rangehood

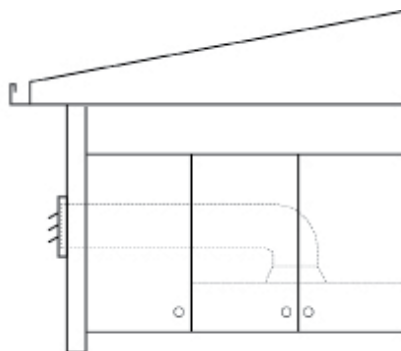
### Product dimensions



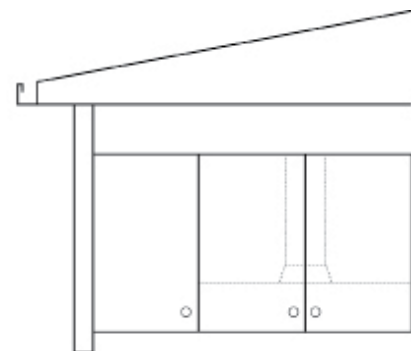
### Rangehood/cooktop clearance



TOP DUCTING



SIDE DUCTING



RE-CIRCULATING  
(Carbon filter required)

**WARNING:** Technical specifications and product sizes can be varied by the manufacturer, without notice. Cut outs for appliances should only be by physical product measurements. The above is indicative only.