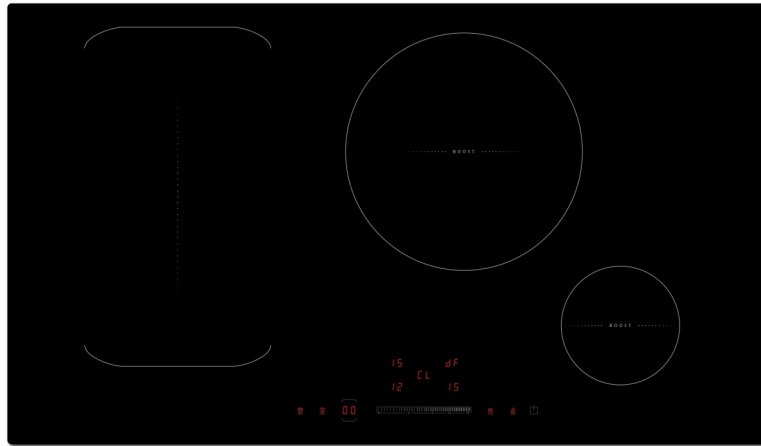
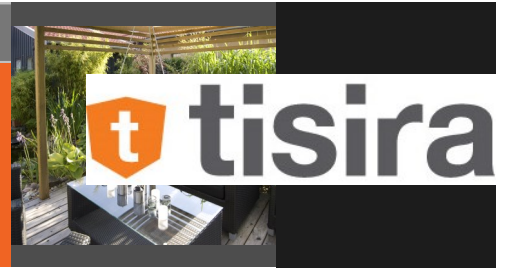


# TIS90B

## 90cm Induction Hob



## 90cm Frameless Induction Hob

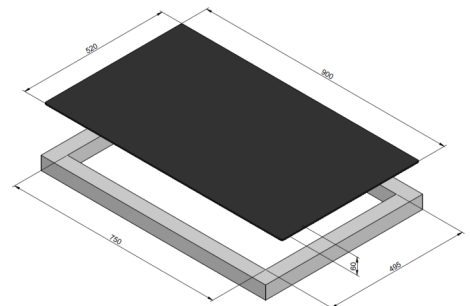
### Features and Benefits:

<b>4 Induction Elements with Flexi Zone</b>	Quick heat up and consistent temperature makes Induction cooking the best choice, especially when cooking delicate foods such as sauces or chocolate
<b>Frameless Design</b>	Not only does it look good, but it's easier to clean without the usual steel lip on the edge of your hob trapping dirt and grime.
<b>Residual Heat Indicators</b>	As long as the element is hot this light will continue to glow. Less chance of burning yourself.
<b>Cool Touch Surface</b>	Because Induction cooking heats the pots and pans rather than the element itself the hob surface remains cool eliminating the chance of burning yourself and makes it easier to clean as food residue doesn't cook on
<b>Slide Touch Control</b>	Simple to use touch control gives you greater control over temperature

### Technical Specifications:

Cooking Zones	5
Controls	Slide Touch Control
Residual Heat Indicators	Y
Edge	Frameless
Timer	99 mins
Absorbed Power	Y
Dimensions (W) x (H) x (D)	900 x 60 x 520

ELEMENT CONFIGURATION	
Front Left	1800/3000W
Front Right	1400/2000W
Rear Left	1800/3000W
Rear Right	1500W
Flexi Zone	3000/4000W
Connection	220-240V



**Distributed by Arisit Pty Ltd**

40-44 Mark Anthony Drive, Dandenong South VIC 3175 Ph: 1300 762 219 Fax: 03 9768 0838 Website: [www.arisit.com](http://www.arisit.com)