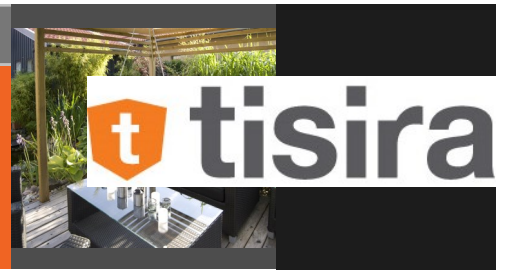


TOC619

60cm Built In Oven



60cm Built In Wall Oven



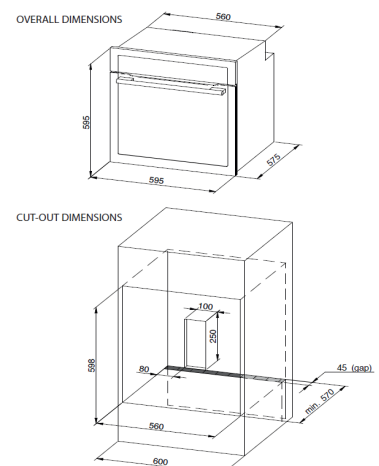
Features and Benefits:

9 Cooking Functions	Light, Defrost, Bottom Element, Natural Convection, Fan-Assisted Convection, Grill, Double Grill, Fan-Assisted Grill, Fan-Forced
Removable glass door and side rails	Makes cleaning the oven easier by allowing you to bring the components up to bench height rather than kneeling down into the oven.
Digital LED Display	Easy to read digital display
Stainless Steel and black glass design	Stylish design fits in with the modern kitchen aesthetics
Triple Glazed Door	Cool touch door makes it safer for all the family in the kitchen. Less chance of burning yourself if the door is accidentally touched while the oven is on.

Technical Specifications:

Cooking Functions	9
Oven Capacity (Gross)	65L
Timer	Minute Minder
No. Door Glass	3
Cleaning	Manual
Finish	Stainless Steel
Dimensions (W) x (H) x (D)	595 x 595 x 575

Technical	
Accessories	2 Shelves, 1 Baking Tray & Insert
Cooling Fan	Y
Absorbed Power	231000W
Connection	220-240V / 50Hz / 15A



Distributed by Arisit Pty Ltd

40-44 Mark Anthony Drive, Dandenong South VIC 3175 Ph: 1300 762 219 Fax: 03 9768 0838 Website: www.arisit.com