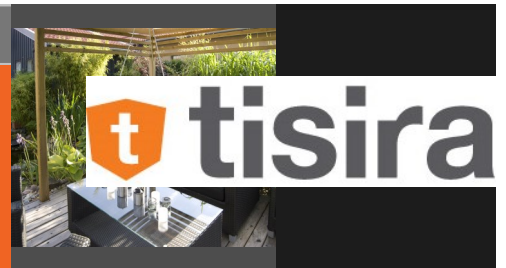


TOT605

60cm Built In Oven



60cm Built In Wall Oven

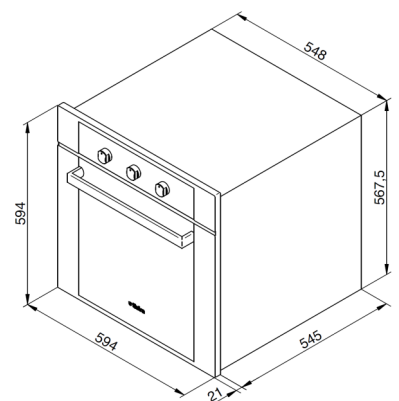
Features and Benefits:

5 Cooking Functions	Traditional, Fan Forced, Grill, Fan Grill, Defrost
Removable glass door and side rails	Makes cleaning the oven easier by allowing you to bring the components up to bench height rather than kneeling down into the oven.
Minute Minder	Easy to use timer so you never forget to check on your cooking
Stainless Steel and black glass design	Stylish design fits in with the modern kitchen aesthetics
Triple Glazed Door	Cool touch door makes it safer for all the family in the kitchen. Less chance of burning yourself if the door is accidentally touched while the oven is on.

Technical Specifications:

Cooking Functions	5
Oven Capacity (Gross)	66L
Timer	Minute Minder
No. Door Glass	3
Cleaning	Manual
Finish	Stainless Steel
Dimensions (W) x (H) x (D)	594 x 594 x 545

Technical	
Accessories	2 x grids, 1 x drip tray with wire insert, 1 x pan handle
Cooling Fan	Y
Absorbed Power	2560W
Connection	220-240V / 50Hz / 15A



Distributed by Arisit Pty Ltd

40-44 Mark Anthony Drive, Dandenong South VIC 3175 Ph: 1300 762 219 Fax: 03 9768 0838 Website: www.arisit.com