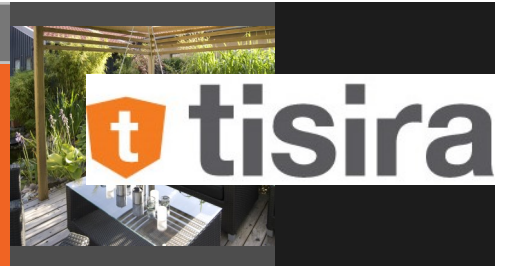


# TRH9CU-1-L

## 90cm Curved Glass Canopy



### 90cm Curved Glass Canopy

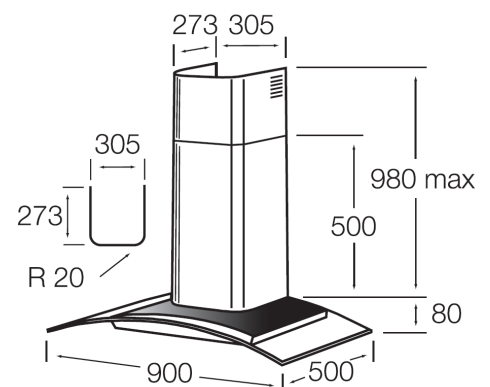
#### Features and Benefits:

<b>LED Lighting</b>	Giving extra light when needed in the kitchen
<b>700 m3/h extraction</b>	Removes cooking odours with ease
<b>3 Speed Settings</b>	Depending on what you're cooking and can vary the amount of suction as required
<b>Aluminium Filters</b>	Dishwasher safe

#### Technical Specifications:

Extraction Rate	700 m3/h
Speed Settings	3
Lighting Type / Position	2 x LED / Rear
Control Type	Push Button
Colour	Stainless Steel and Glass
Filter Type	Aluminum
Dimensions (W) x (H) x (D)	900 x 980 x 500

Technical	
Connection	220-240V~ / 50Hz / 10A
Ducting Outlet	150mm



Distributed by Arisit Pty Ltd

40-44 Mark Anthony Drive, Dandenong South VIC 3175 Ph: 1300 762 219 Fax: 03 9768 0838 Website: www.arisit.com