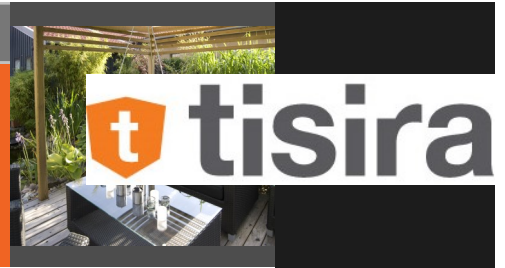


TSH60X-L

60cm Slide Out Hood



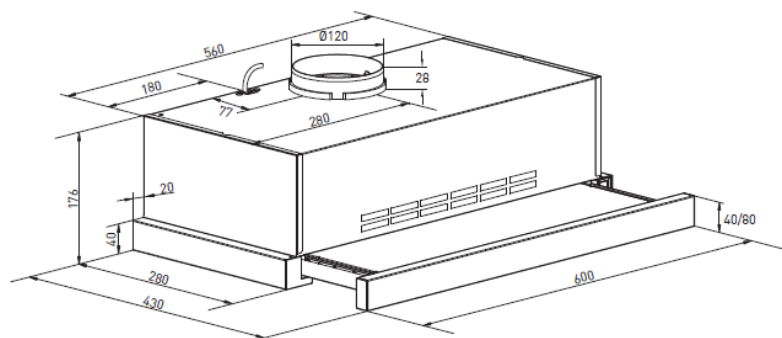
60cm Slide Out Hood

Features and Benefits:

LED Lighting	Giving extra light when needed in the kitchen
440 m3/h extraction	Removes cooking odours with ease
2 Speed Settings	Depending on what you're cooking you can vary the amount of extraction as required
Aluminium Mesh, (carbon optional)	Perfect for recirculating application removes cooking odours before the air is directed back into the room
Twin Motor	Centrifugal motors helps to extract the air at a faster and more efficient rate

Technical Specifications:

Extraction Rate	440 m3/h
Speed Settings	2
Lighting Type / Position	2 x LED / Rear
Control Type	Rocker Switch
Colour Body / Fascia	White / Stainless Steel
Filter Type	Aluminum Mesh, Carbon Optional
Facade Thickness	20mm
Dimensions (W) x (H) x (D)	598 x 176 x 280



Technical

Connection	240V~ / 50/60Hz / 100w
Ducting Outlet	120

Distributed by Arisit Pty Ltd

40-44 Mark Anthony Drive, Dandenong South VIC 3175 Ph: 1300 762 219 Fax: 03 9768 0838 Website: www.arisit.com
1A Howe street, Auckland, New Zealand 1145 Ph: (09) 306 1020 Fax: 09 3020077