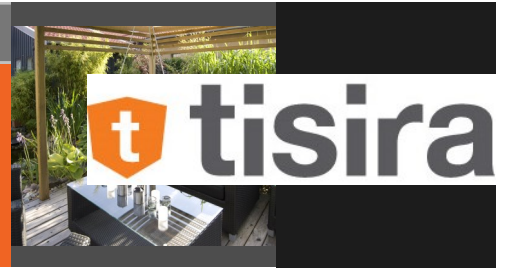


TSH60X

60cm Slide Out Hood



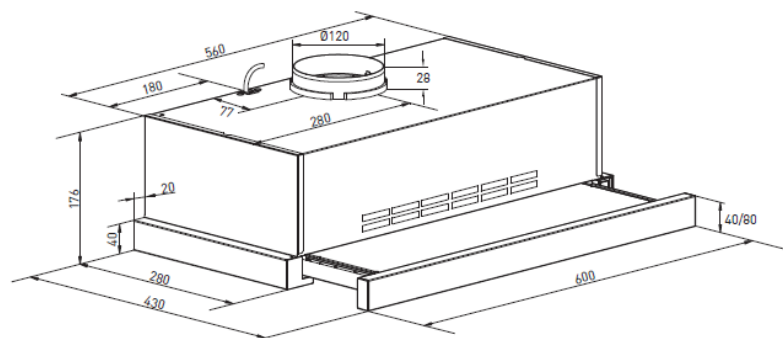
60cm Slide Out Hood

Features and Benefits:

| | |
|--|--|
| Halogen Lighting | Giving extra light when needed in the kitchen |
| 440 m3/h extraction | Removes cooking odours with ease |
| 2 Speed Settings | Depending on what you're cooking you can vary the amount of extraction as required |
| Aluminium Mesh, (carbon optional) | Perfect for recirculating application removes cooking odours before the air is directed back into the room |
| Twin Motor | Centrifugal motors helps to extract the air at a faster and more efficient rate |

Technical Specifications:

| | |
|----------------------------|--------------------------------|
| Extraction Rate | 440 m3/h |
| Speed Settings | 2 |
| Lighting Type / Position | 2 x E14 Halogens / Rear |
| Control Type | Rocker Switch |
| Colour Body / Fascia | White / Stainless Steel |
| Filter Type | Aluminum Mesh, Carbon Optional |
| Facade Thickness | 20mm |
| Dimensions (W) x (H) x (D) | 598 x 176 x 280 |



Technical

| | |
|----------------|------------------------|
| Connection | 240V~ / 50/60Hz / 100w |
| Ducting Outlet | 120 |

Distributed by Arisit Pty Ltd

40-44 Mark Anthony Drive, Dandenong South VIC 3175 Ph: 1300 762 219 Fax: 03 9768 0838 Website: www.arisit.com

1A Howe street, Auckland, New Zealand 1145

Ph: (09) 306 1020 Fax: 09 3020077